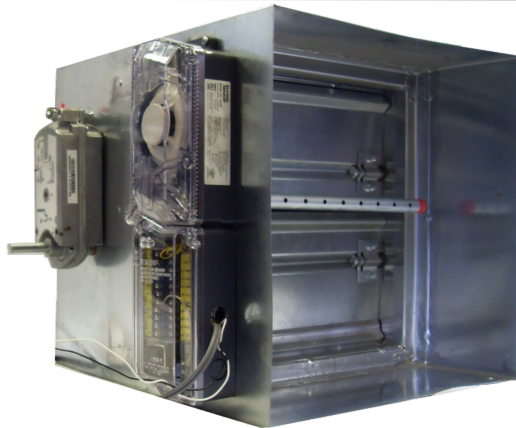




# FIRE SMOKE DAMPER WITH SMOKE DETECTOR



**MODELS:**  
**FSD-111-1-PB-D4120**

### APPLICATION

The FSD-111-1PB-D4120 is a fire smoke damper with a smoke detector. The smoke detector is designed to detect air passing through a duct and upon alarm, provide management of fans, blowers, and combination fire smoke dampers. The detectors are available factory mounted and wired or shipped loose.

### RATINGS

Fire rating:	1-1/2 Hours or FSDL 3 Hours
Ultra low leakage:	Class 1
Dynamic closure rating:	Actual limits are size dependent
Maximum velocity:	2000fpm
Maximum pressure:	4.0" W.G.
Temperature rating:	250° F/350° F

### STANDARD CONSTRUCTION

<b>FRAME:</b>	5in. X 1in. Channel 16 Ga. (1.5mm) galvanized steel
<b>BLADES :</b>	16 Ga. 3V
<b>BEARINGS:</b>	Bronze
<b>AXLES:</b>	1/2 Sq. zinc plated steel studs
<b>LINKAGE:</b>	0.12x0.50 Zinc plated steel concealed in the channel frame
<b>FINISH:</b>	Mill galvanized
<b>AIR FLOW:</b>	Bi-Directional
<b>JACKSHAF:</b>	1/2" Dia. zinc plated steel with jackshaft connector coupling
<b>SLEEVE:</b>	Minimum Length: 18"
<b>FUSIBLE LINK:</b>	165 Degree

Model FSD-111-1-PB D4120 meets the requirements for fire dampers, smoke dampers and combination fire smoke dampers established by:

- CSFM California State Fire Marshal Fire Damper Listing (#3225-1417:102)**
- Leakage (Smoke) Damper Listing (#3230-1417:103)**
- British Standard (BS – 476 Part 20)**
- Performance testing by AMCA International (AMCA STD 500)**
- HKFM Hong Kong fire Marshal Approval**



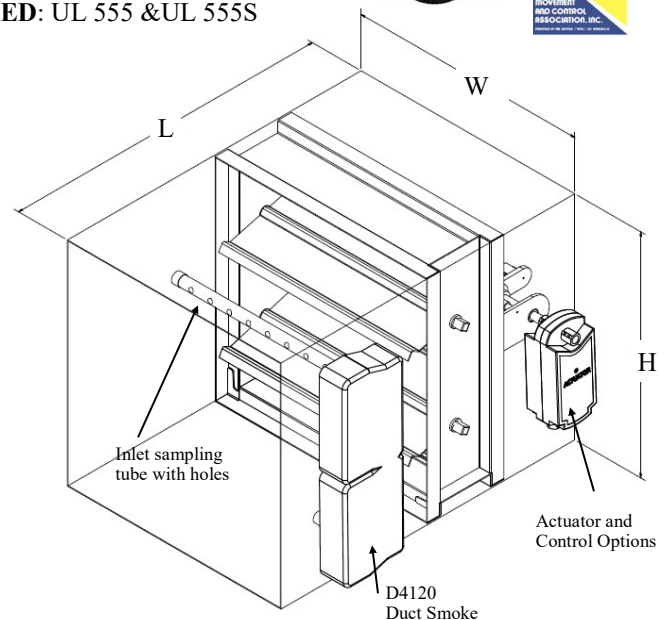
**UL CLASSIFIED: UL 555 &UL 555S**

### OPTIONS:

- Stainless steel construction
- Fusible link 212 degree
- Lloydstat
- LS-200
- FSDL (FIRE RATING 3 HOURS)

### ACTUATOR:

- Specify type: electric or pneumatic
- Specify brand: SIEMENS, BELIMO, HONEYWEL
- Specify mounting: external or internal
- Specify voltage: 24V, 120V, 220V



**NOTE:**  
Dampers supplied 1/4" less than order width and height unless specified "ACTUAL SIZE"

Single Section		Multiple Section
Minimum Size (WxH)	Maximum Size (WxH)	Maximum Size (WxH)
8"x8" (external mount)	(internal mount) 10"x10"	36"x36"
		72"x72" (vertical)
		120"x72" (vertical)
		96"x72" (Horizontal)

231 Commerce Dr. Montgomeryville, PA 18936  
Tel: 215-412-4445 Fax: 215-412-4409  
Email: lloydind@firedamper.com

138 Industrial Loop West, Orange Park, FL 32073  
Tel: 904-541-1655 Fax: 904-541-1657  
Email: lloydind1@firedamper.com

B1, 4/F., Luen Ming Hing Factory Building  
36 Mok Cheong St.,  
To Kwa Wan, Kowloon, H. K.  
Tel: 852-2760-4188 Fax: 852-2760-4177  
Email: tatanlexyim@lloydasia.com

