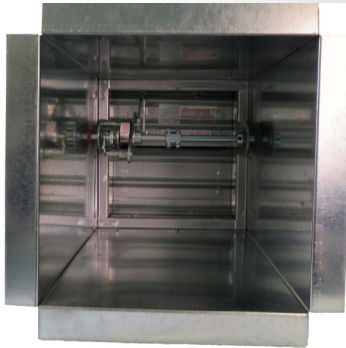




COMBINATION FIRE SMOKE DAMPER



MODELS:
FSD-111-1-GA-PB
FSDL-111-1-GA-PB
(GRILL ACCESS)

APPLICATION

The FSD-111-1-GA-PB is a class 1 leakage, 1-1/2HR rating combination fire & smoke damper with 3 "V" blades. The FSD-111-1-GA-PB can be installed vertically or horizontally in HVAC systems and is rated for airflow and leakage in either direction. The FSD-111-1-GA-PB has been tested with velocities up to 2000 fpm (24"x24" 4000fpm) and pressures to 4.0 in. w.g.

STANDARD CONSTRUCTION

- FRAME:** 16 Ga. (1.5mm) galvanized steel
Interlocking stacked hat section
Channel frame construction
- BLADES :** 16 Ga. galvanized 3 "V" formed
Parallel blade
- BEARINGS:** Sintered bronze, oil impregnated
- AXLES:** 1/2 Sq. zinc plated steel studs
- LINKAGE:** 0.12x0.50 Zinc plated steel
concealed in the channel frame
- FINISH:** Mill galvanized
- BLADE SEALS:** 60-65 Durometer silicone rubber
with laminated acrylic adhesive
permanently bonded to blade edges.
- JAMB SEALS:** Corrosion resistant stainless steel
- JACKSHAFT:** 1/2" Dia. zinc plated steel with
jackshaft connector coupling
- SLEEVE:** Rectangle, round, oval or special
- FUSIBLE LINK:** 165 Degree

RATINGS

- Fire rating: 1-1/2 Hours or FSDL 3 Hour
- Ultra low leakage: Class 1
- Installations: Vertical/ Horizontal
- Maximum velocity: 2000fpm (24"x24" 4000fpm)
- Maximum static pressure: 4.0" W.G.
- Temperature rating: 250° F/350° F
- Operation rating: Power open/ Spring closure

UL CLASSIFIED: UL 555 &UL 555S

Model FSD-111-1-PB meets the requirements for fire dampers, smoke dampers and combination fire smoke dampers established by:

- CSFM California State Fire Marshal**
Fire Damper Listing (#3225-1417:102)
- Leakage (Smoke) Damper Listing (#3230-1417:103)**
- British Standard (BS – 476 Part 20)**
- Performance testing by AMCA International**
(AMCA STD 500)
- HKFM Hong Kong fire Marshal Approval**



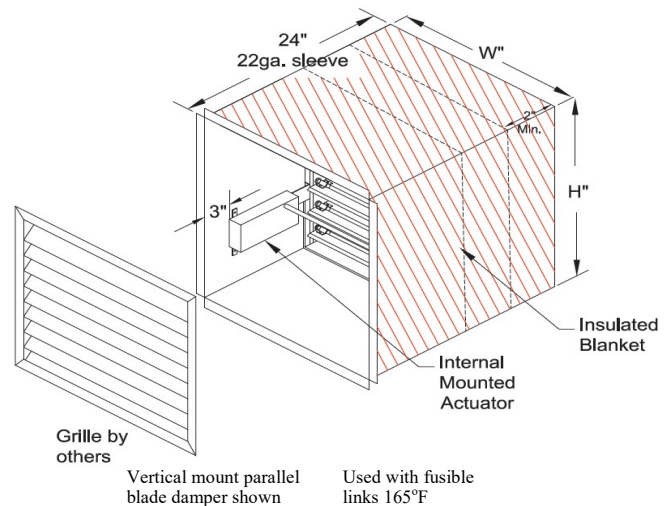
OPTIONS:

- Stainless steel construction
- Fusible link 212 degree
- Lloydstat
- LS-200
- Smoke Detector (Model D4120 or B114LP)
- FSDL (FIRE RATING 3 HOURS)

ACTUATOR:

- Specify type: electric or pneumatic
- Specify brand: SIEMENS, BELIMO, HONEYWELL
- Specify mounting: external or internal
- Specify voltage: 24V, 120V, 220V

Single Section		Multiple Section
Minimum Size (WxH)	Maximum Size (WxH)	Maximum Size (WxH)
(internal mount) 10"x10"	36"x36"	72"x72" (vertical)
	30"x36"	120"x72" (vertical)
8"x8" (external mount)	32"x36"	96"x72" (Horizontal)



231 Commerce Dr. Montgomeryville, PA 18936
Tel: 215-412-4445 Fax: 215-412-4409
Email: lloydind@firedamper.com

138 Industrial Loop West, Orange Park, FL 32073
Tel: 904-541-1655 Fax: 904-541-1657
Email: lloydind1@firedamper.com

B1, 4/F., Luen Ming Hing Factory Building
36 Mok Cheong St.,
To Kwa Wan, Kowloon, H. K.
Tel: 852-2760-4188 Fax: 852-2760-4177
Email: tatanlexyim@lloydasia.com

