



**CEILING RADIATION DAMPER WITH REGISTER BOX ASSEMBLY**

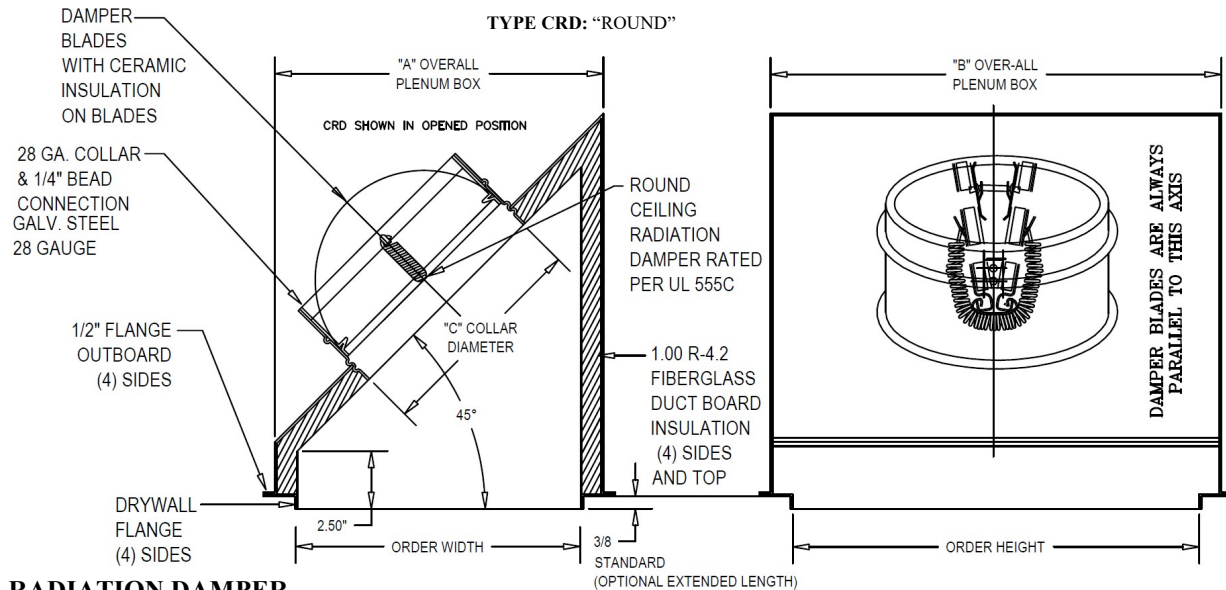
**MODEL:  
CRD55-BT-4.2-45  
CRD55-EA-BT-4.2-45**



**APPLICATION**

Model CRD55-BT-4.2-45 / CRD55-EA-BT-4.2-45 is an 1-Hour rated CRD/ Register/Grille assembly. The damper is UL fire rated for Ceiling/Floor and Ceiling/Roof Assemblies L528, L558, L562, L563, L574, L585, M562, P533, P544, P545, P547, and P580.

Contact us for additional applicable Ceiling/Floor and Ceiling/Roof Assemblies.



**CEILING RADIATION DAMPER**

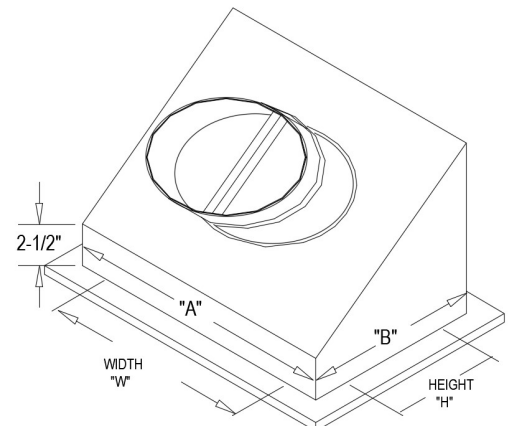
- Fusible Link: 165°F standard (options are available)
- Blades: 22 Ga. galvanized steel  
Ceramic Fiberglass Cover (for total blade area > 80 sq. in.)
- Frame: Roll formed 22 Ga. galvanized steel

**PLENUM BOX**

- Outer Box: 26 Ga. galvanized steel
- Collar: Roll formed 26 Ga. galvanized steel with roll formed 1/4" beading
- Insulation: Fiberglass duct board 1" thick (R-4.2)
- "C" Diameter provided nominal order diameter

**NOTES:**

- Available in stainless steel.
- Available with extended length drywall flange.
- Collar Diameter: Minimum 3", Maximum 12".
- Register/Grill (steel) supplied by other.
- Ceramic insulation is not required on dampers with areas less than 80 SQ/IN and is optional. Dampers above 80 SQ/IN will be provided with blade insulation.
- **Meets UL263, NFPA 90A requirements.**



Minimum Size (WxH)	Maximum Size (WxH)
6" x 6" x 4" (collar)	16" x 16" x 12" (collar)



INSTALLATION INSTRUCTIONS AND THE PRODUCTS SPECIFIED, ARE IN CONFORMANCE TO ALL OF UNDERWRITERS LABORATORIES REQUIREMENTS 555C

