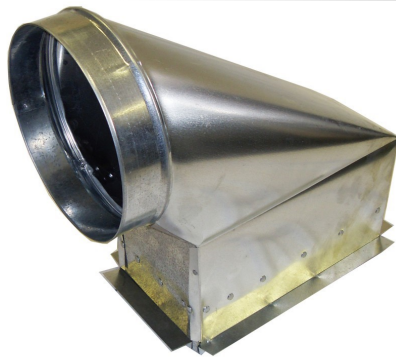




**CEILING RADIATION DAMPER
STANDARD SIDE-OUTLET BOOT FOR REGISTER BOX ASM.**

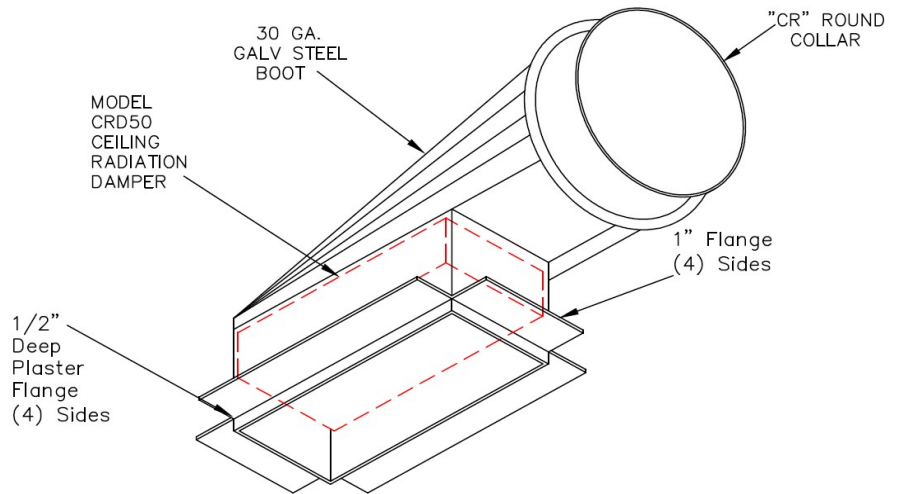
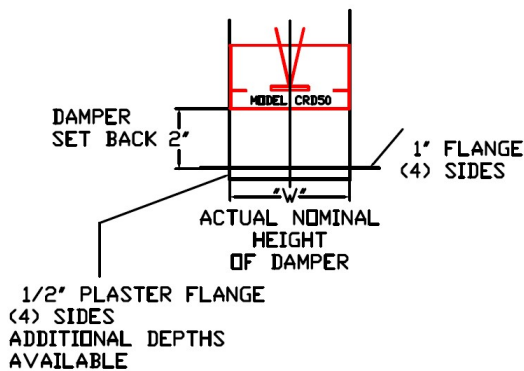


**MODEL:
CRD-50-96-BT
CRD-50-EA-96-BT**

APPLICATION

CRD-50-96-BT /CRD-50-EA-96-BT is a 3-Hour rated damper, End boot, and round collar assembly for 3-Hour rated partitions. The damper is UL fire rated for Ceiling/Floor and Ceiling/Roof Assemblies L528, L558, L562, L563, L574, L585, M562, P533, P544, P545, P547, and P580.

Contact us for additional applicable Ceiling/Floor and Ceiling/Roof Assemblies.



CEILING RADIATION DAMPER (UL 3-HOUR RATING)

- Fusible Link (165°F standard) (Optional temperatures available-212°F)
- Damper blades 22 gauge galvanized steel
- Roll formed frame 22 gauge galvanized steel
- Ceramic fiber with fiberglass cover (sizes over 80 SQ/IN)
- Rectangular W x H provided actual size for register installation

BOOT/ REGISTER BOX

- 30 Gauge galvanized steel
- Standard 1/2" deep plaster flange (additional depths are available)
- Standard 1" wide flanges (4) sides
- Round type "CR" collar. (provide nominal size)

FIBERGLASS INSULATION

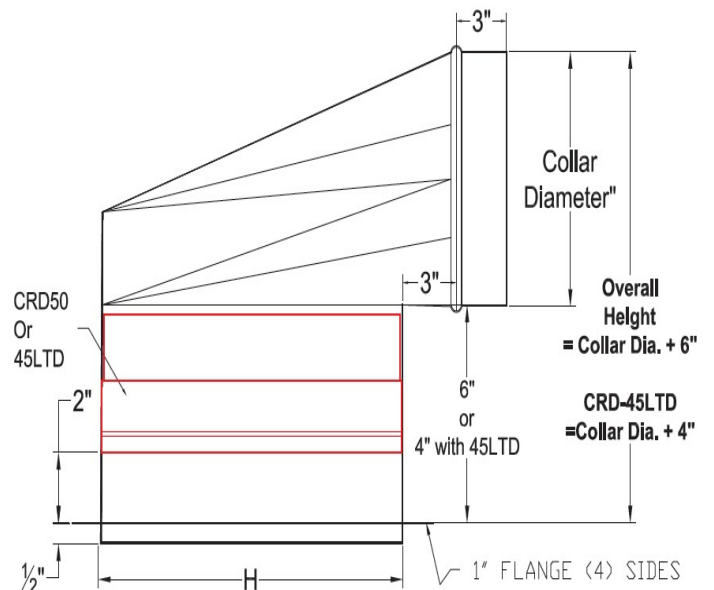
- Exterior wrapped foil faced fiberglass R-6 insulation-Field installed
- 1-1/2" wide UL 181 aluminum duct tape

SIZE UNITS

Contact the factory for available W x H x Collar diameters

OPTIONAL

- With 45LTD shorter overall height



INSTALLATION INSTRUCTIONS AND THE PRODUCTS SPECIFIED, ARE IN CONFORMANCE TO ALL OF UNDERWRITERS LABORATORIES REQUIREMENTS 555C

