

CEILING RADIATION DAMPER

MODEL:
CRD55 (Round)



APPLICATION

The CRD-55 has been UL tested and labeled for protection of ceiling openings in fire rated floor/ceiling assemblies with fire resistance ratings of up to 3 hours. This product can also be applied to steel lay-in style ceiling diffusers up to 24" Dia. (610mm) maximum size. The damper is UL fire rated for Ceiling/Floor and Ceiling/Roof Assemblies L528, L558, L562, L563, L574, L585, M562, P533, P544, P545, P547, and P580. Contact us for additional applicable Ceiling/Floor and Ceiling/Roof Assemblies.

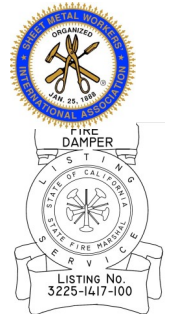
Standard Construction

1. UL listed link (165°F or 212°F)
2. Blades 22 (0.853mm) Ga. galvanized steel
3. Ceramic fiber with fiberglass cover*
4. Roll-formed frame 22 (0.853mm) Ga. galvanized steel
5. Steel duct drop (by others).

RATING:

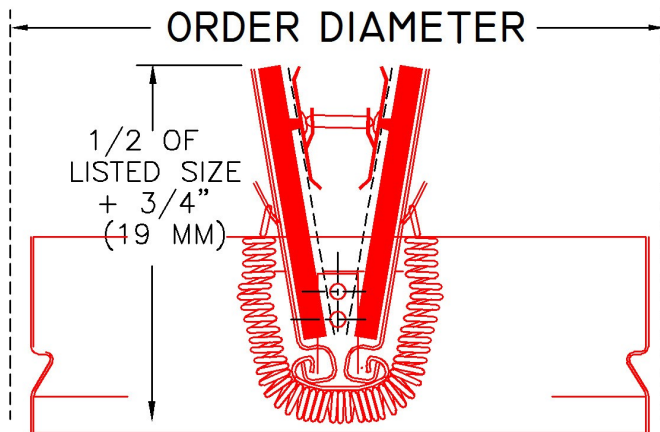
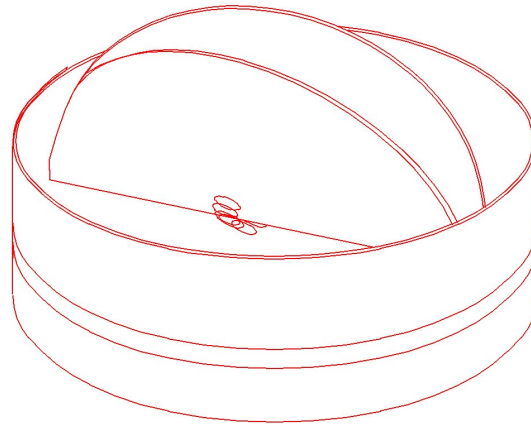
UL CLASSIFIED: UL 555C Fire Resistance Rating
Fire resistance rated 3 Hours
Building materials rated 3 Hours

Model CRD 55 meets the requirements for fire dampers established by:
CSFM California State Fire Marshal
Fire Damper Listing (#3225-1417:101)

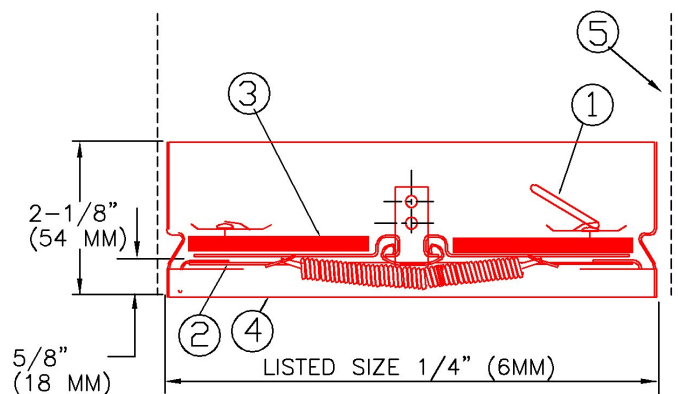


Note:

1. Maximum size 24" Dia. (600mm)
Minimum size 4" Dia. (100mm)
2. Available in stainless steel
3. *Ceramic insulation is not UL required on dampers with areas less than 80 square inches and is optional. Dampers above 80 square inches will be provided with blade insulation.



CRD SHOWN IN OPEN POSITION



CRD SHOWN IN CLOSED POSITION