

## CEILING RADIATION DAMPER

**MODEL:**  
**CRD50-EA (Rectangular)**



### APPLICATION

The CRD-50EA has been UL tested and labeled for protection of ceiling openings in fire rated floor/ceiling assemblies with fire resistance ratings of up to 3 hours. This product can also be applied to steel lay-in style ceiling diffusers up to 24 in. x 24 in. (610mm x 610mm) maximum size. The damper is UL fire rated for Ceiling/Floor and Ceiling/Roof Assemblies L528, L558, L562, L563, L574, L585, M562, P533, P544, P545, P547, and P580. Contact us for additional applicable Ceiling/Floor and Ceiling/Roof Assemblies.

### Standard Construction

1. UL listed link (165°F or 212°F)
2. Blades 22 (0.853mm) Ga. galvanized steel
3. Ceramic fiber with fiberglass cover\*
4. Roll-formed frame 22 (0.853mm) Ga. galvanized steel
5. Steel duct drop (by others).

### RATING:

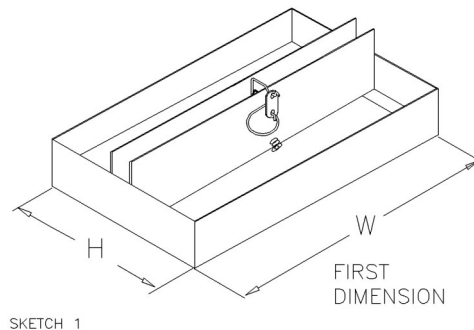
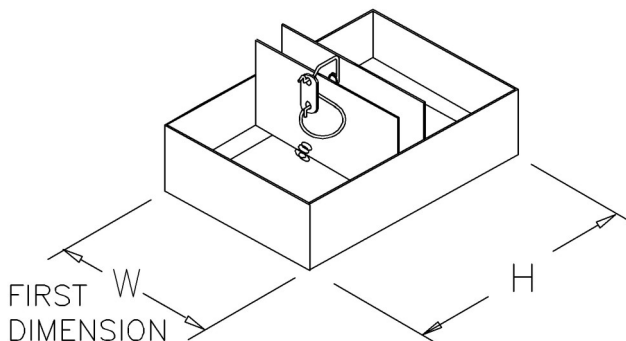
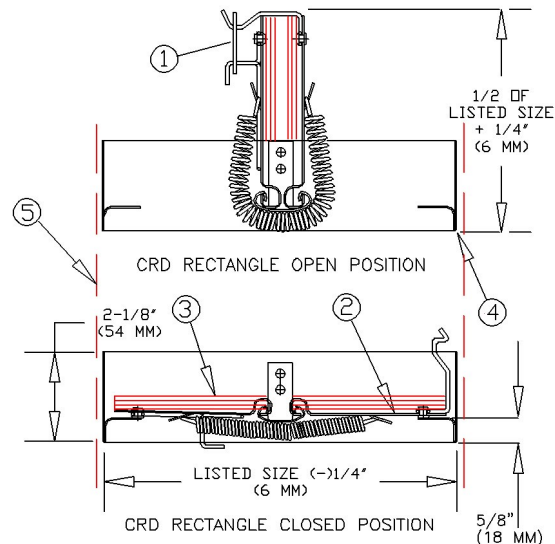
**UL CLASSIFIED:** UL 555C Fire Resistance Rating  
Fire resistance rated 3 Hours  
Building materials rated 3 Hours

Model CRD 50EA meets the requirements for fire dampers established by:  
**CSFM California State Fire Marshal**  
**Fire Damper Listing (#3225-1417:101)**



### Note:

1. Maximum size 24"x24" (600mm x 600mm)  
Minimum size 4"x6" (101mm x 152mm)
2. Manufactured with blade opening as per sketch #1: when "W" equal to or greater than 6"
3. Manufactured with blade opening as per sketch #2: when "W" is less than 6" and "H" is greater than "W".
4. \*Ceramic insulation is not UL required on dampers with areas less than 80 square inches and is optional. Dampers above 80 square inches will be provided with blade insulation.



Note:  
First dimension is always the hinge length  
Example:  
A 12x6 CRD 50-EA has a 12"(W) long hinged length