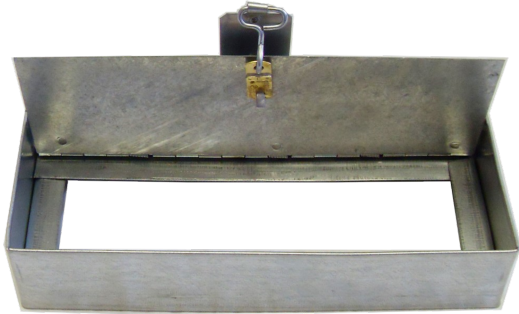




# CEILING RADIATION DAMPER

**MODEL:**  
**CRD50-6X (Rectangular)**



### APPLICATION

The CRD-50-6X has been UL tested and labeled for protection of ceiling openings in fire rated floor/ceiling assemblies with fire resistance ratings of up to 3 hours. This product can also be applied to steel lay-in style ceiling diffusers up to 6"x24" maximum size. The damper is UL fire rated for Ceiling/Floor and Ceiling/Roof Assemblies L528, L558, L562, L563, L574, L585, M562, P533, P544, P545, P547, and P580. Contact us for additional applicable Ceiling/Floor and Ceiling/Roof Assemblies.

### Standard Construction

1. UL listed link (165°F standard)(Max 212°F)
2. Blades 22 (0.853mm) Ga. galvanized steel
3. Roll-formed frame 22 (0.853mm) Ga. galvanized steel
4. Steel duct drop (by others).
5. 90% Free area

### Note:

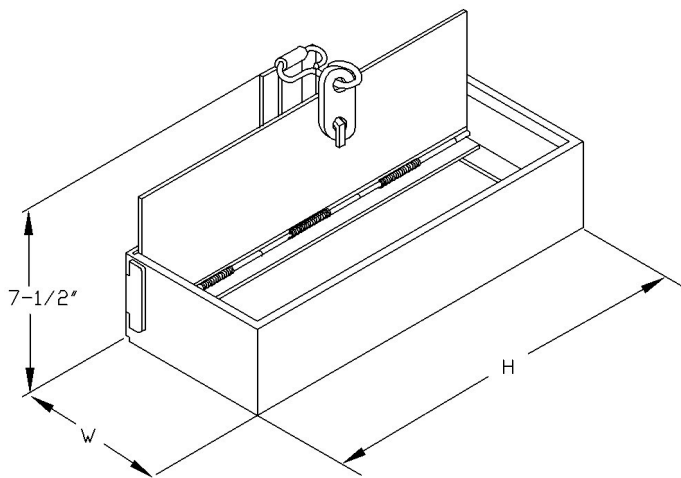
1. Maximum size 6"x24"  
Minimum size 6"x4"
2. "Ceramic insulation is not UL required on Lloyd Industries dampers with area less than 80 square inches of blade surface"

### RATING:

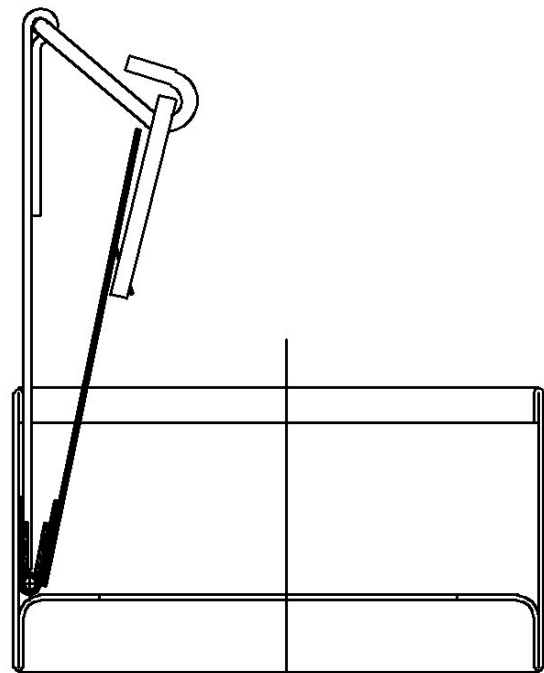
**UL CLASSIFIED:** UL 555C Fire Resistance Rating  
Fire resistance rated 3 Hours  
Building materials rated 3 Hours

Model CRD 50-6X meets the requirements for fire dampers established by:

**CSFM California State Fire Marshal  
Fire Damper Listing (#3225-1417:101)**



MODEL CRD50-6X  
SINGLE BLADE DAMPER



CRD SHOWN IN OPENED POSITION

