



## EXTRUDED ALUMINUM LOUVER

**MODEL: 4-SRF**

**IMPACT RESISTANT LOUVER**

Miami Dade Approved-NOA No. 21-0823.07



### APPLICATION

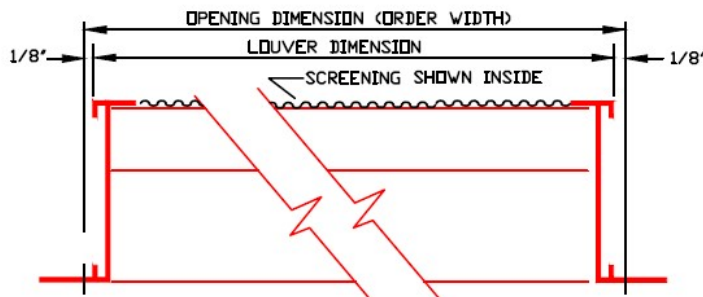
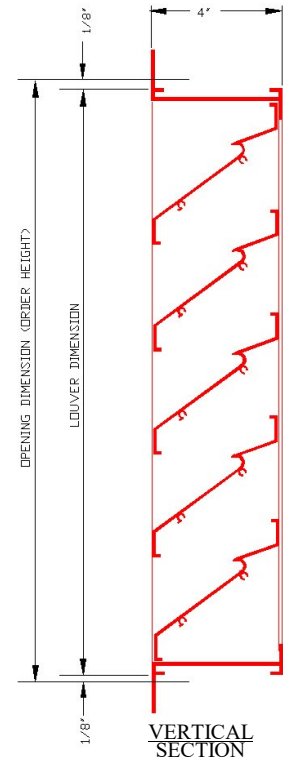
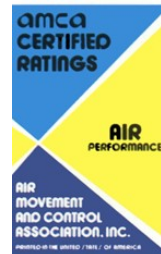
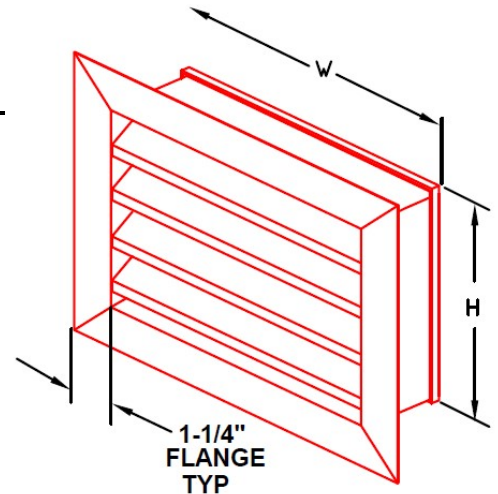
The 4-SRF Stationary Louver is 4" deep with a Flange Frame. That is designed for the protection of high air intake and exhaust velocities in building exterior walls. The 4-SRF is AMCA STD 500 approved.

### SPECIFICATIONS

- Frame:** 0.081 thick extruded aluminum  
6063-T5 mill finish/6061-T6
- Blade:** 0.081 thick extruded aluminum  
6063-T5 mill finish/6061-T6
- Blade Spacing:** Approximately 3-1/4" center to center (except at head and sills)
- Fasteners:** 10" x 3/4" tek screws
- Blade Angle:** 36°
- Screen:** Bird screen  
1/2" x 1/2" galvanized steel
- Flange:** 1-1/4"
- Miami-Dade:** Maximum Size: 48" x 48"  
Minimum Size: 18" x 18"

### OPTIONS

- Insect Screen 1/16" x 1/16" Aluminum
- Bird Screen 1/2" x 1/2" Aluminum
- Stainless Steel Frame, Steel Frame
- Finish:** Clear Anodized  
Bronze Anodized  
Powder Coat Paint  
Baked Enamel Paint



HORIZONTAL SECTION

VERTICAL SECTION

231 Commerce Dr. Montgomeryville, PA 18936  
Tel: 215-412-4445 Fax: 215-412-4409  
Email: lloydind@firedamper.com

138 Industrial Loop West, Orange Park, FL 32073  
Tel: 904-541-1655 Fax: 904-541-1657  
Email: lloydind1@firedamper.com

B1, 4/F., Luen Ming Hing Factory Building  
36 Mok Cheong St.,  
To Kwa Wan, Kowloon, H. K.  
Tel: 852-2760-4188 Fax: 852-2760-4177  
Email: tatanlexyim@lloydasia.com

