

## EXTRUDED ALUMINUM LOUVER



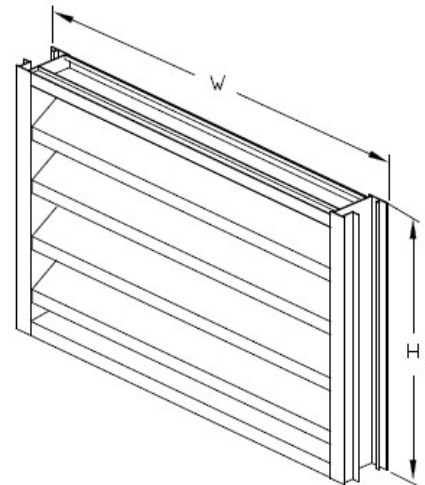
**MODEL: 4-SRCF**

**IMPACT RESISTANT CHANNEL  
FRAME LOUVER**

**Miami Dade County Approved-NOA No. 21-0823.07**

### APPLICATION

The 4-SRCF Stationary Louver is 4" deep with a Channel Frame, That is designed for the protection of high air intake and exhaust velocities in building exterior walls. The 4-SRCF is AMCA STD 500 approved.



### SPECIFICATIONS

- Frame:** 0.081 thick extruded aluminum  
6063-T5 mill finish/6061-T6
- Blade:** 0.081 thick extruded aluminum  
6063-T5 mill finish/6061-T6
- Blade Spacing:** Approximately 3-1/4" center to center (except at head and sills)
- Fasteners:** 10" x 3/4" tek screws
- Blade Angle:** 36°
- Screen:** Bird screen  
1/2" x 1/2" galvanized steel
- Flange:** 1-1/4"
- Miami-Dade:** Maximum Size: 48" x 48"  
Minimum Size: 18" x 18"

### OPTIONS

- Insect Screen 1/16" x 1/16" aluminum
- Bird Screen 1/2" x 1/2" aluminum
- Stainless Steel Frame, Steel Frame
- Finish:** Clear Anodized  
Bronze Anodized  
Powder Coat Paint  
Baked Enamel Paint

