



FIRE SMOKE DAMPER WITH SMOKE DETECTOR

MODELS:
FSD/CFSD/SD

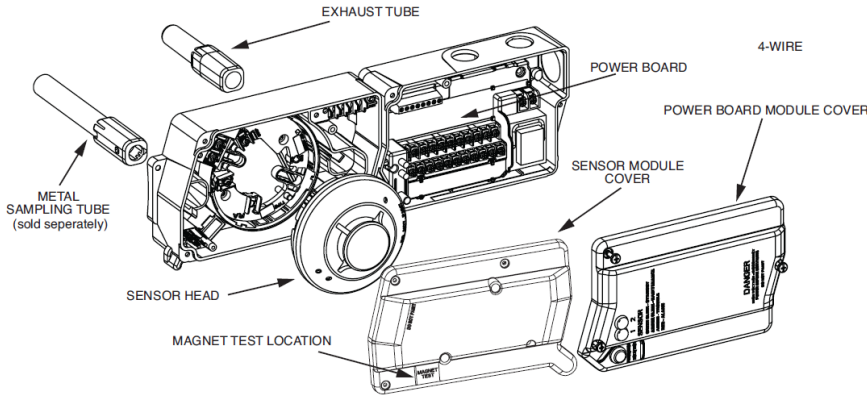


FIGURE 1.2 DUCT SMOKE DETECTOR COMPONENTS

SPECIFICATIONS

Operating Temperature:

D4120 : -4° to 158° F (-20° to 70° C)

Storage Temperature:

D4120 : -22° to 158° F (-30° to 70° C)

Humidity:

0% to 95% Relative Humidity Non-condensing

Air Velocity:

100 to 4000 ft./min. (0.5 to 20.3 m/sec.)

D4120 Footprint Dimensions:

Rectangular - 14.38 in L x 5 in W x 2.5 in D

(37cm L x 12.7cm W x 6.36cm D)

Square - 7.75 in L x 9 in W x 2.5 in D

(19.7cm L x 22.9cm W x 6.35cm D)

D4120 Weight:

2.5 pounds; 1.14 kg

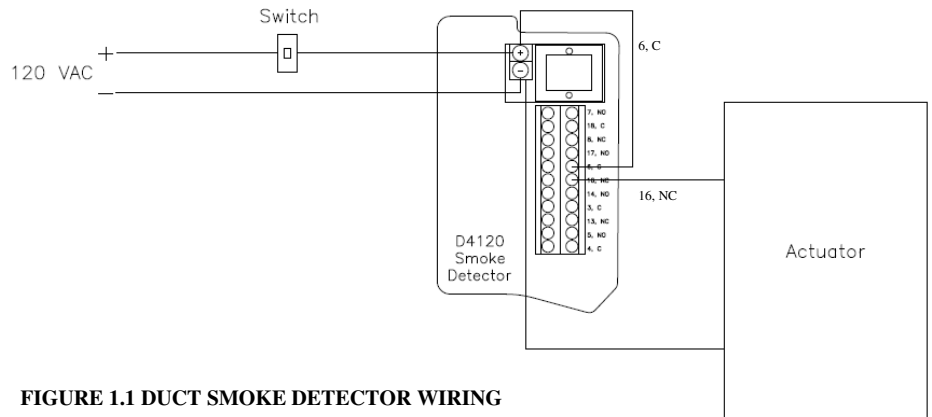


FIGURE 1.1 DUCT SMOKE DETECTOR WIRING

| Electrical | | | |
|---|--------------------|--------------------|--------------------|
| Power supply voltage: | 20-29 VDC | 24 VAC 50-60-Hz | 120 VAC 50-60 Hz |
| Input capacitance: | 270 µF max. | 270 µF max. | N/A |
| Reset voltage: | 3.0 VDC min. | 2.0 VAC min. | 10 VAC min. |
| Reset time (with RTS451/RTS151): | 0.03 to 0.3 sec. | 0.03 to 0.3 sec. | 0.03 to 0.3 sec. |
| Reset time (by power down): | 0.6 sec. max. | 0.6 sec. max. | 0.6 sec. max. |
| Power up time: | 35 sec. max. | 35 sec. max. | 35 sec. max. |
| Alarm response time: | 15 sec. | 15 sec. | 15 sec. |
| Sensitivity test: | See detector label | See detector label | See detector label |

| Current Requirements (Using No Accessories) | | | |
|---|----------------|---------------------------|---------------------------|
| Max. standby current | 21 mA @ 24 VDC | 65 mA RMS @ 24VAC 60 Hz | 20 mA RMS @ 120 VAC 60 Hz |
| Max. alarm current | 65 mA @ 24 VDC | 135 mA RMS @ 24 VAC 60 Hz | 35 mA RMS @ 120 VAC 60 Hz |

