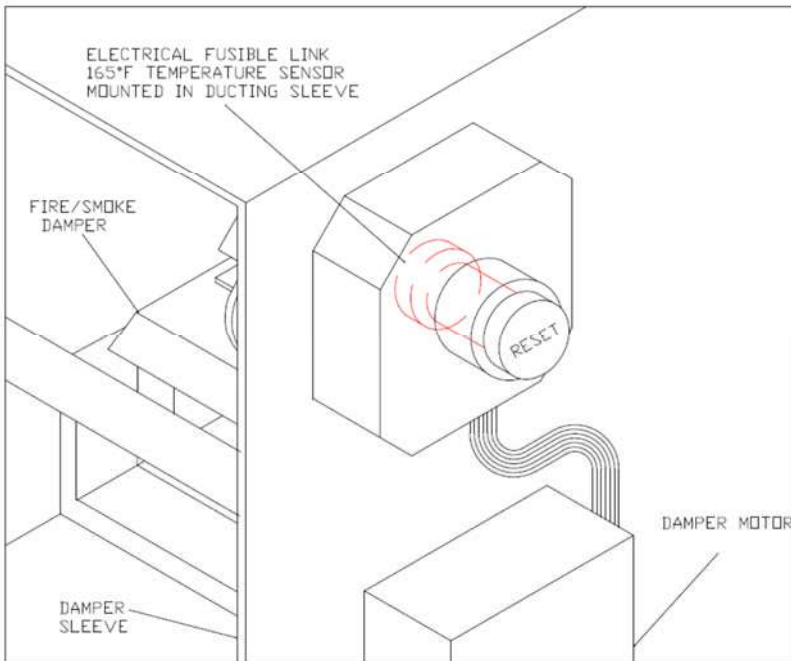


**LLOYDSTAT**



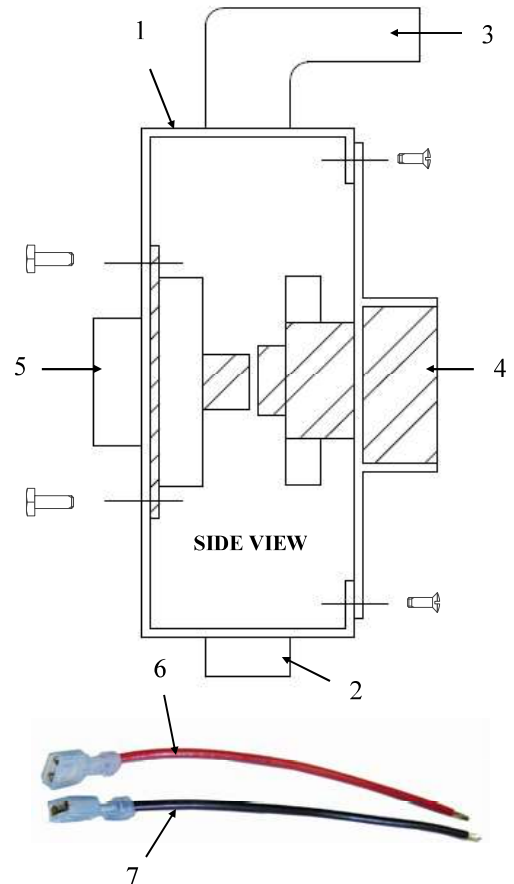
**APPLICATION**

The Lloydstat is an electronic, resettable, fusible link that is used in conjunction with fire/smoke dampers. When it detects temperature exceeding 165°F, the damper will close and lock. Upon cessation of fire conditions the damper can be reopened by pressing the reset button.



Available combination fire/smoke dampers, smoke dampers, and corridor combination fire/smoke damper assemblies with electronic fusible link installed.

Models No: FSD-1111-1-PB-LS CFSD-222-1-PB-LS  
FSD-1111-2-PB-LS CFSD-222-2-PB-LS

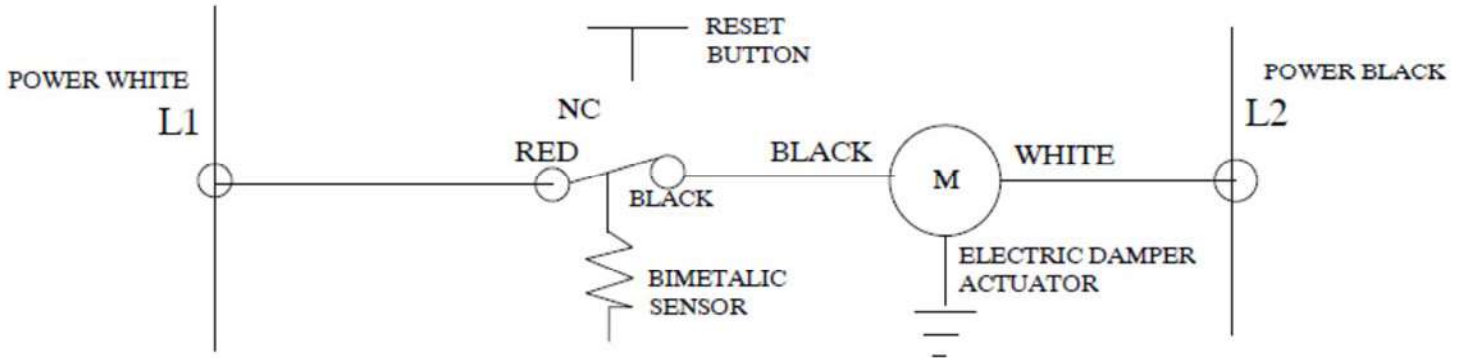


Item	QTY	DESCRIPTION
1	1	OCTAGON BOX
2	1	STRAIGHT CONNECTOR
3	1	90 DEGREE CONNECTOR
4	1	RESET BUTTON
5	1	165 D. THERMOSTAT
6	1	TERMINAL CONNECTED FEMALE WIRE (RED)
7	1	TERMINAL CONNECTED FEMALE

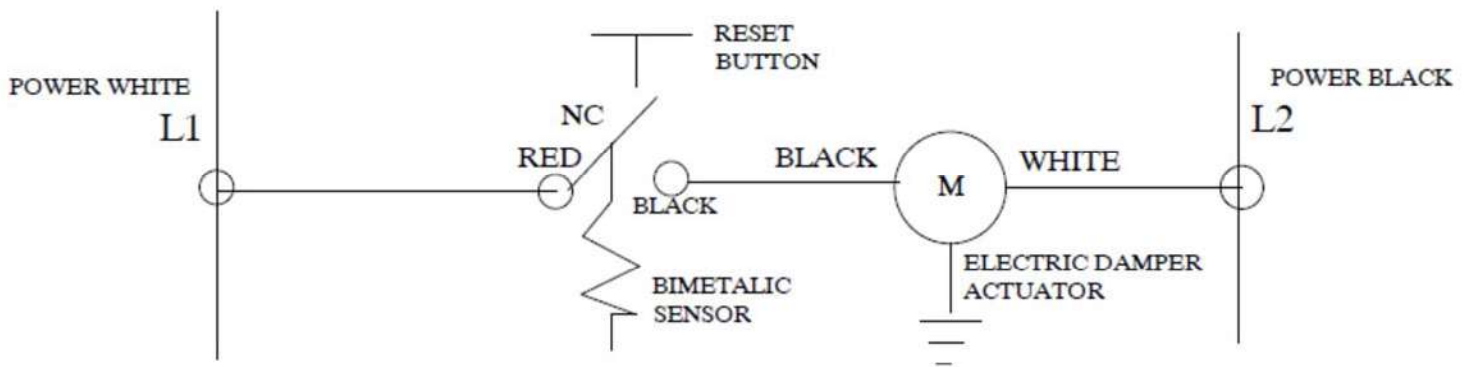


WIRING DIAGRAMS

NORMAL OPERATING CONDITION



HIGH TEMPERATURE CONDITION



NORMAL TEMPERATURE PRE-MANUAL RESET CONDITION

