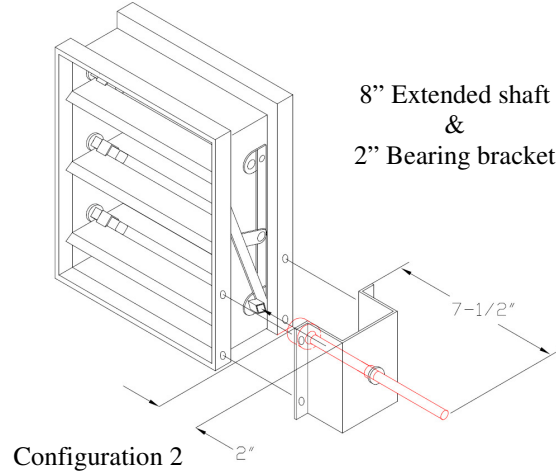
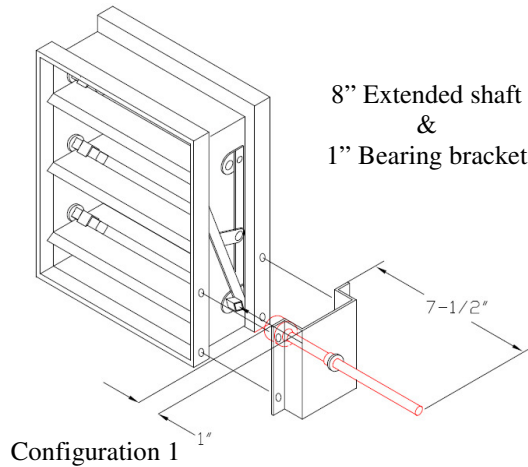




AIR CONTROL DAMPER

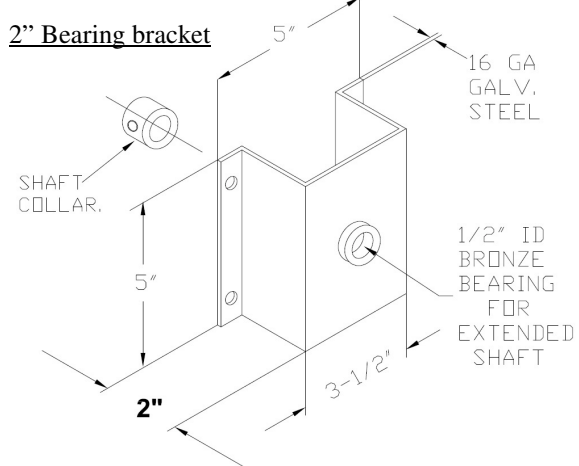
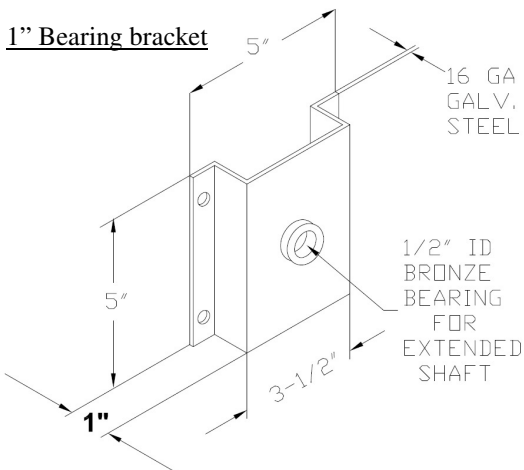
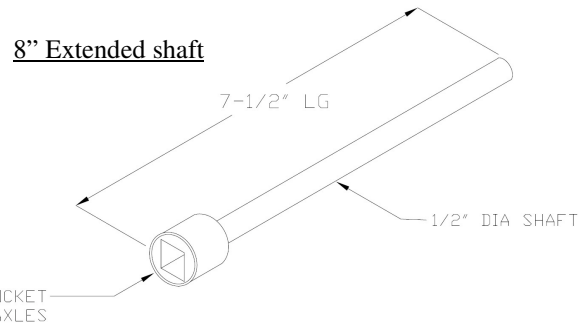
MODELS:
AC10 (PARALLEL BLADE)
AC20 (OPPOSED BLADE)

Lloyd's air control dampers are offered with two different types of optional removable 8" extended shaft and bearing brackets. Drawings below illustrates these different configurations and the components.



DAMPER EXTENDED SHAFT & BEARING BRACKET HARDWARE

NOTE:
2" bearing brackets provided with shaft retainer collar.



SOLD INDIVIDUALLY OR AS BEARING BRACKET SET. (1) EXTENDED SHAFT & (1) BEARING BRACKET

