



DYNAMIC FIRE DAMPER

MODEL:
75LV-DY (3 HR rating)



APPLICATION

The model 75L-DY is constructed with standard construction galvanized steel. This model carries a 3 hour UL fire damper label. It is approved for use in walls and partitions with fire resistance ratings less than 4 hours. This damper is for vertical application only.

RATING:

UL CLASSIFIED: UL 555 Fire Resistance Rating
Fire resistance rated 3 Hours
Building materials rated in 4 hour fire partition

Standard Construction

- Frame: 22 Ga. Galvanized Steel
- Blade: 22 Ga. Galvanized Steel
- Closure Spring: Stainless Steel
- Fusible Link: 165°F (Standard)
- Mounting: Vertical

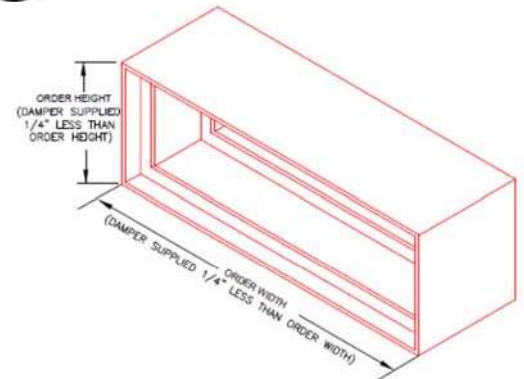
Optional Material:

- Type 316 stainless steel
- 212°F Fusible Link

Dynamic Fire Dampers:

- Bi-directional
- 2400 FPM maximum velocity
- 4.0 WG maximum static pressure

Features horizontal closure spring operation under airflow in HVAC systems where fans remain running in Fire and smoke control. Dynamic fire dampers bear a label attesting to airflow and maximum static pressure limits.



	Single Section		Multiple Section
	Minimum Size (WxH)	Maximum Size (WxH)	Maximum Size (WxH)
Vertical	4"x4"	24"x24"	N/A
Horizontal	N/A	N/A	N/A

*Damper supplied 1/4" less than order width and height

