

## DYNAMIC FIRE DAMPER



**MODEL:**  
**75LCV-DY (3 HR rating)**

### APPLICATION

The model 75LC-DY is constructed with standard construction galvanized steel. This model carries a 3 hour UL fire damper label. It is approved for use in walls and partitions with fire resistance ratings less than 4 hours. This damper is for vertical application only.

### RATING:

**UL CLASSIFIED:** UL 555 Fire Resistance Rating  
Fire resistance rated 3 Hours  
Building materials rated in 4 hour fire partition

### Standard Construction

Frame: 22 Ga. galvanized steel  
Blade: 22 Ga. galvanized steel  
Closure Spring: Stainless steel  
Fusible Link: 165°F (Standard)  
Mounting: Vertical

### Optional Material:

Type 316 stainless steel  
212°F Fusible Link

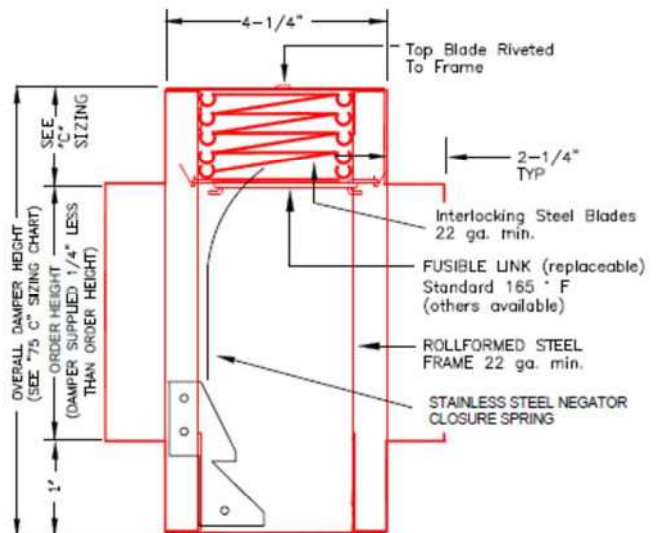
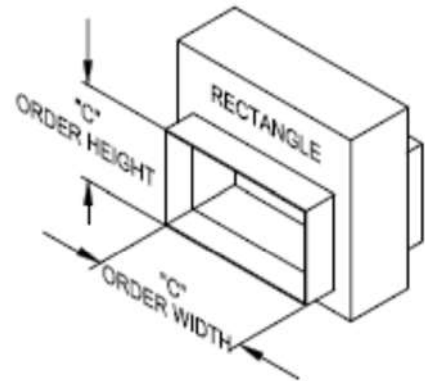
### Dynamic Fire Dampers:

Bi-directional  
2400 FPM maximum velocity  
4.0 WG maximum static pressure

Features horizontal closure spring operation under airflow in HVAC systems where fans remain running in Fire and smoke control. Dynamic fire dampers bear a label attesting to airflow and maximum static pressure limits.

	Single Section		
	Maximum Section	Minimum Ø	Maximum Ø
Vertical	24"x24"	3Ø	20Ø
Horizontal	24"x24"	3Ø	20Ø

\*Damper supplied 1/4" less than order width and height  
Highest air flow efficiency for curtain damper.  
Damper models with blades and frames "out of air stream".



(V) VERTICAL MOUNT