



DYNAMIC FIRE DAMPER



MODEL:
75LCRV-DY (3 HR rating)

APPLICATION

The model 75LCRV-DY is constructed with galvanized steel. This model carries a 3 hour UL fire damper label. It is approved for use in walls and partitions with fire resistance ratings less than 4 hours. This damper is for vertical application only.

RATING:

UL CLASSIFIED:

UL 555 Fire Resistance Rating
Fire resistance rated 3 Hours
Building materials rated in 4 hour fire partition

Standard Construction

- Frame: 22 Ga. galvanized steel
- Blade: 22 Ga. galvanized steel
- Closure Spring: Stainless steel
- Fusible Link: 165°F (Standard)
- Mounting: Vertical

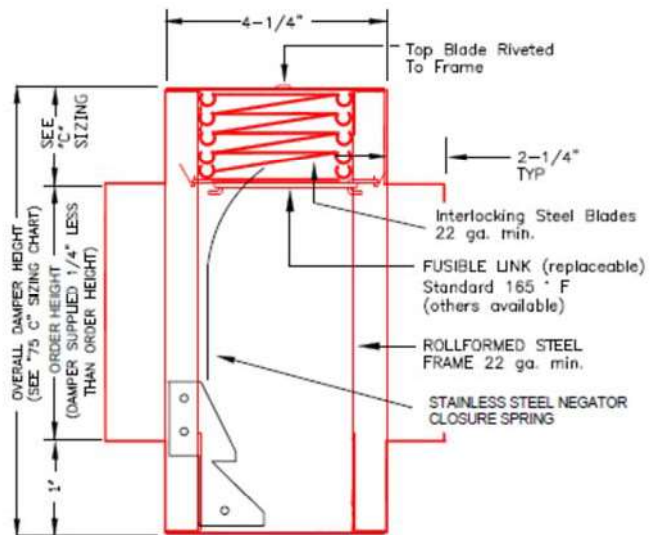
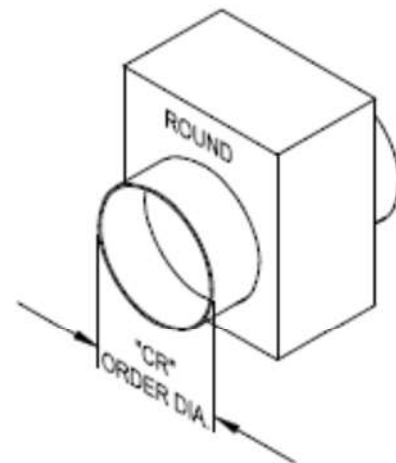
Optional Material:

- Type 316 stainless steel
- 212°F Fusible Link

Dynamic Fire Dampers:

- Bi-directional
- 2400 FPM maximum velocity
- 4.0 WG maximum static pressure

Features horizontal closure spring operation under airflow in HVAC systems where fans remain running in Fire and smoke control. Dynamic fire dampers bear a label attesting to airflow and maximum static pressure limits.



(V) VERTICAL MOUNT

	Single Section		
	Maximum Section	Minimum Ø	Maximum Ø
Vertical	24"x24"	3Ø	20Ø
Horizontal	N/A	N/A	N/A

*Damper supplied 1/4" less than order width and height
Highest air flow efficiency for curtain damper.
Damper models with blades and frames "out of air stream".

