



**FIRE DAMPER**



**MODEL:**  
**75C (1-1/2 HR rating)**  
**75CR (1-1/2 HR rating)**  
**75CO (1-1/2 HR rating)**

**APPLICATION**

The model 75C is a fire damper with blades and frames "Out of Air Stream". It is approved for use in walls, floors, and partitions with fire resistance ratings less than 2 hours. This model carries a 1-1/2 hour UL fire damper label.

**RATING:**

**UL CLASSIFIED:**

UL 555 Fire Resistance Rating  
 Fire resistance rated 1-1/2 Hours  
 Partitions rated 2 Hours or less

**Standard Construction**

- Frame: 22 Ga. galvanized steel
- Blade: 22 Ga. galvanized steel
- Closure Spring: Stainless steel
- Fusible Link: 165°F (Standard)
- Mounting: Horizontal or vertical

**Optional Material:**

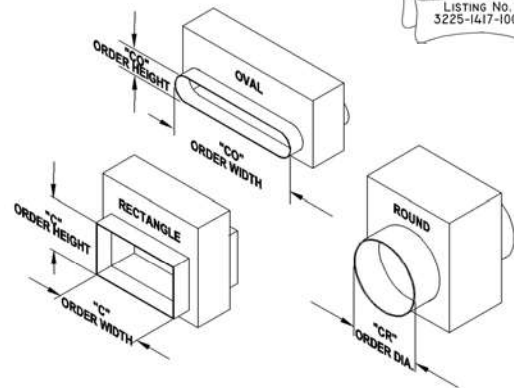
- Type 316 stainless steel
- 212°F Fusible Link

Model 75C meets the requirements for fire dampers established by:

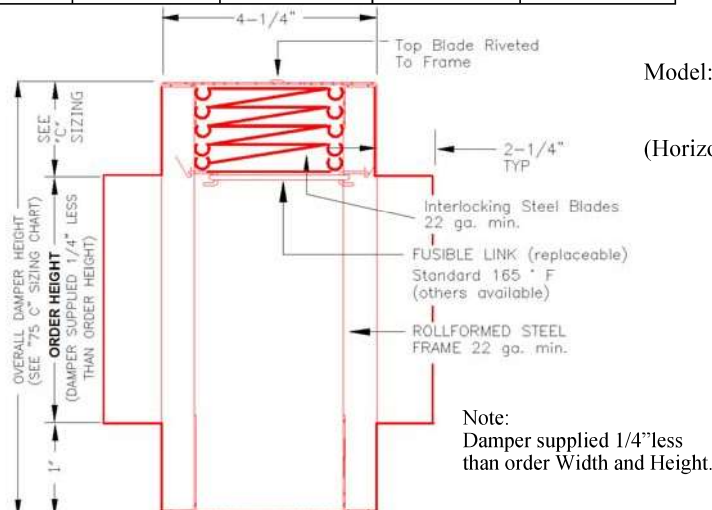
**CSFM California State Fire Marshal  
 Fire Damper Listing (#3225-1417:102)**



	Single Section			
	Maximum Section	Maximum Duct Size	Minimum Diameter	Maximum Diameter
Vertical	60"x60"	120"x120"	3"	52"
Horizontal	60"x60"	60"x60"	3"	52"



Model: 75CV  
 75CRV  
 75COV  
 (Vertical Mount)



Model: 75CH  
 75CRH  
 75COH  
 (Horizontal Mount)

