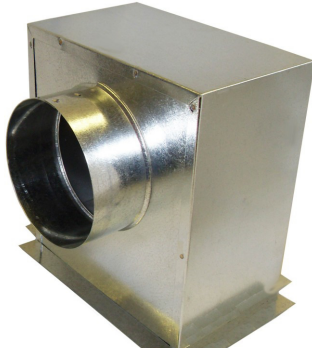




CEILING RADIATION DAMPER WITH REGISTER BOX ASSEMBLY

**MODEL:
CRD4X-NI-BT-26GS**



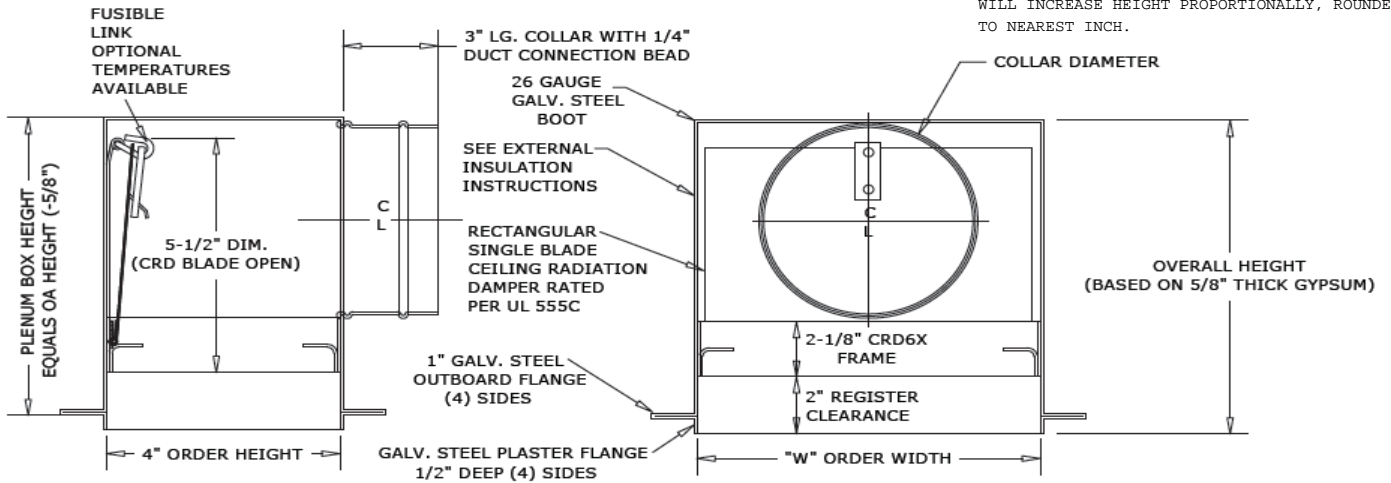
APPLICATION

Model CRD4X-NI-BT-26GS is an 1-Hour rated CRD/Register/Grille assembly. The damper is UL fire rated for Ceiling/Floor and Ceiling/Roof Assemblies L528, L558, L562, L563, L574, L585, P533, P544, P545 and P547.

Please consult factory for use in other floor/ceiling and roof/ceiling designs.

TYPE CRD: Rectangular damper with non-insulated register box, "side outlet".

NOTE: HEIGHT DIMENSION BASED ON 2" REGISTER CLEARANCE. INCREASING REGISTER CLEARANCE WILL INCREASE HEIGHT PROPORTIONALLY, ROUNDED TO NEAREST INCH.

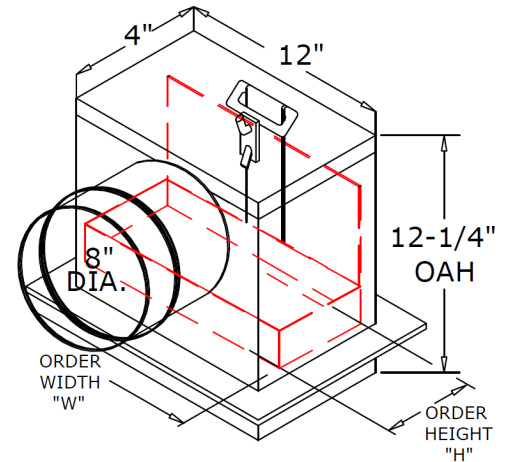


CEILING RADIATION DAMPER

- Rating: UL listed ceiling radiation damper UL-555C
- Fusible Link: 165°F standard
- Blades: 22 Ga. galvanized steel with ceramic fiberglass cover
- Frame: Roll formed 22 Ga. galvanized steel

PLENUM BOX

- Outer Box: 26 Ga. galvanized steel
- Collar: Roll formed 26 Ga. Galvanized
- Insulation: None provided
- "C" Diameter provided nominal order diameter (-1/4")



NOTES:

- Manufactured with blades open as shown.
- Ceramic insulation is not required on damper blades with W x H areas less than 80 SQ/IN.
- Register/Grille supplied by other.

Minimum Size (WxH)	Maximum Size (WxH)
6"x4"x4" (collar)	14"x4"x8" (collar)



INSTALLATION INSTRUCTIONS AND THE PRODUCTS SPECIFIED, ARE IN CONFORMANCE TO ALL OF UNDERWRITERS LABORATORIES REQUIREMENTS 555C

