



CEILING RADIATION DAMPER WITH REGISTER BOX ASSEMBLY

MODEL:
CRD55-BT-6.0
CRD55-EA-BT-6.0

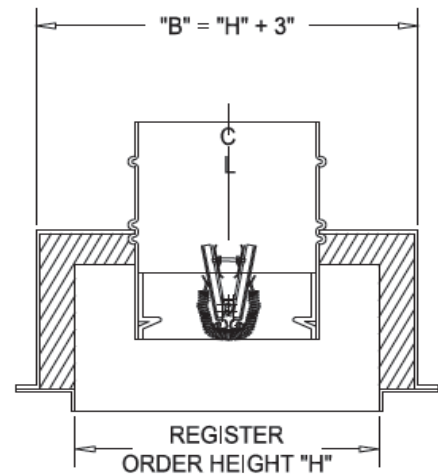
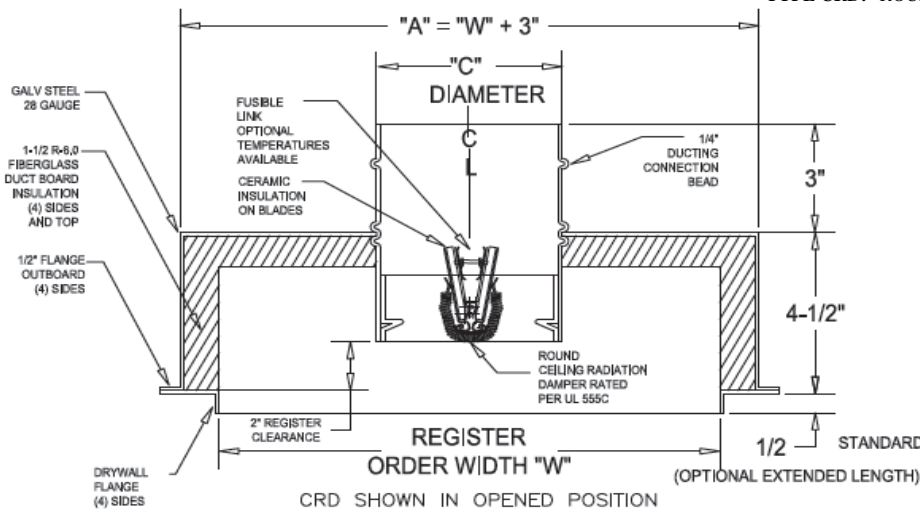


APPLICATION

Model CRD55-BT-6.0 / CRD55-EA-BT-6.0 is an 1-Hour rated CRD/Register Box assembly. The damper is UL fire rated for Ceiling/Floor and Ceiling/Roof Assemblies L528, L558, L562, L563, L574, L585, P533, P544, P545 and P547.

Please consult factory for use in other floor/ceiling and roof/ceiling designs.

TYPE CRD: "ROUND"



CEILING RADIATION DAMPER

- Fusible Link: 165°F standard (options are available)
Blades: 22 Ga. galvanized steel with ceramic fiberglass cover
Frame: Roll formed 22 Ga. galvanized steel

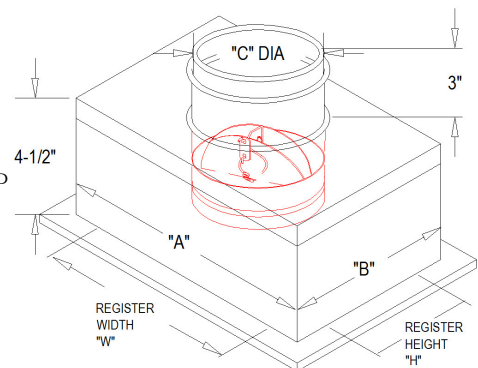
NOTE: HEIGHT DIMENSION BASED ON 2" REGISTER CLEARANCE. INCREASING REGISTER CLEARANCE WILL INCREASE HEIGHT PROPORTIONALLY, ROUNDED TO NEAREST INCH.

PLENUM BOX

- Outer Box: 26 Ga. galvanized steel
Collar: Roll formed 26 Ga. galvanized steel with roll formed 1/4" beading
Insulation: Duct liner 1-1/2" thick (R-6.0)
"C" Diameter provided nominal order diameter

NOTES:

- Available in stainless steel.
Available with extended length drywall flange.
CRD55-EA-BT minimum collar diameter is 6".
Register/Grill (steel) supplied by other.
Ceramic insulation is not required on dampers with areas less than 80 SQ/IN and is optional. Dampers above 80 SQ/IN will be provided with blade insulation.
Meets UL263, NFPA 90A requirements.



Model CRD 55-EA-BT SHOWN

Table with 2 columns: Minimum Size (WxH) and Maximum Size (WxH). Values: 7"x7"x4" (collar) and 16"x16"x12" (collar)

INSTALLATION INSTRUCTIONS AND THE PRODUCTS SPECIFIED, ARE IN CONFORMANCE TO ALL OF UNDERWRITERS LABORATORIES REQUIREMENTS 555C

