



**CEILING RADIATION DAMPER  
STANDARD SIDE-OUTLET BOOT FOR REGISTER BOX ASM.**

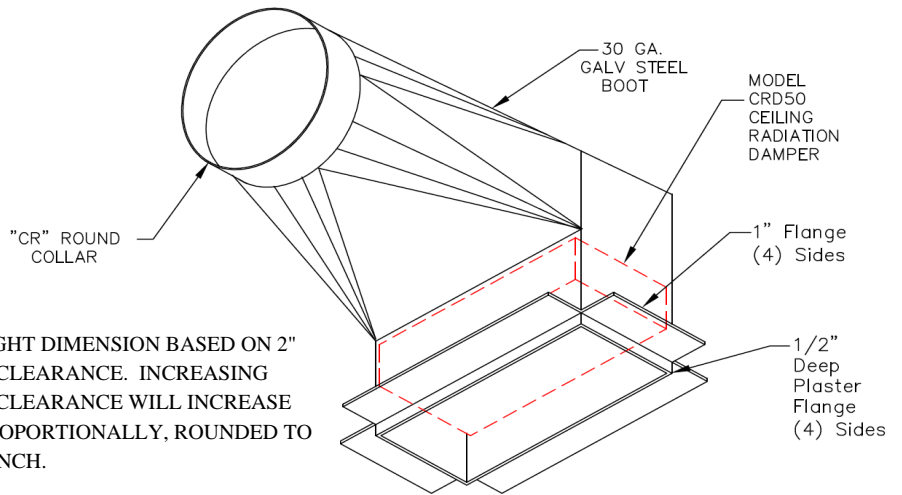
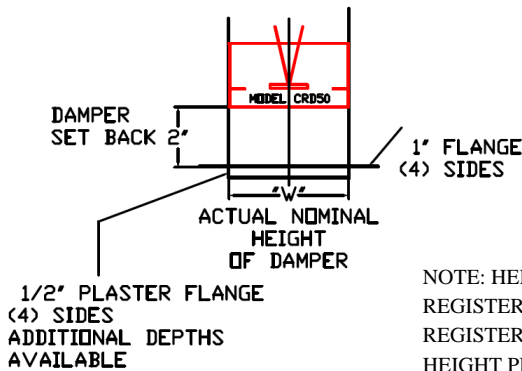
**MODEL:  
CRD-50-95-BT  
CRD-50-EA-95-BT**



**APPLICATION**

CRD-50-95-BT /CRD-50-EA-95-BT contains a 3-Hour rated damper, 90° boot, and round collar assembly for 1-Hour rated partitions. The damper is UL fire rated for Ceiling/Floor and Ceiling/Roof Assemblies L528, L558, L562, L563, L574, L585, P533, P544, P545 and P547.

**Please consult factory for use in other floor/ceiling and roof/ceiling designs.**



NOTE: HEIGHT DIMENSION BASED ON 2" REGISTER CLEARANCE. INCREASING REGISTER CLEARANCE WILL INCREASE HEIGHT PROPORTIONALLY, ROUNDED TO NEAREST INCH.

**CEILING RADIATION DAMPER (UL 3-HOUR RATING)**

- Fusible Link (165°F standard) (optional temperatures available-212°F)
- Damper blades 22 gauge galvanized steel
- Roll formed frame 22 gauge galvanized steel
- Ceramic fiber with fiberglass cover (sizes over 80 SQ/IN)
- Rectangular W x H provided actual size for register installation

**BOOT/ REGISTER BOX**

- 30 Gauge galvanized steel
- Standard 1/2" deep plaster flange (additional depths are available)
- Standard 1" wide flanges (4) sides
- Round type "CR" collar. (provide nominal size)

**FIBERGLASS INSULATION**

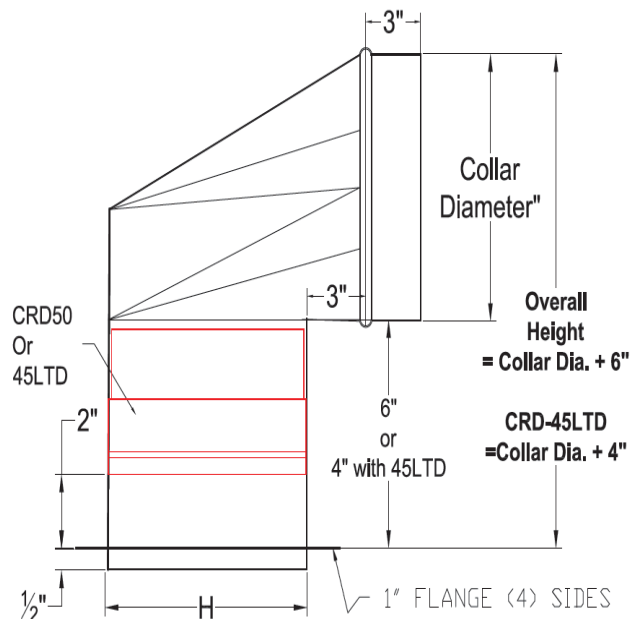
- Exterior wrapped foil faced fiberglass R-6 insulation-field installed
- 1-1/2" wide UL 181 aluminum duct tape

**SIZE UNITS**

- Maximum square 12"W x 12"H
- Maximum rectangle 144 SQ/IN

**OPTIONAL**

- With CRD-45LTD-95-BT shorter overall height.



INSTALLATION INSTRUCTIONS AND THE PRODUCTS SPECIFIED, ARE IN CONFORMANCE TO ALL OF UNDERWRITERS LABORATORIES REQUIREMENTS 555C

