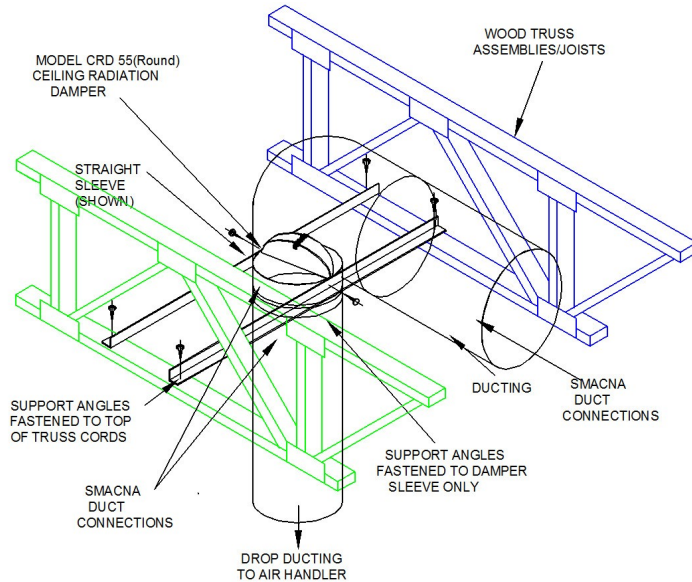




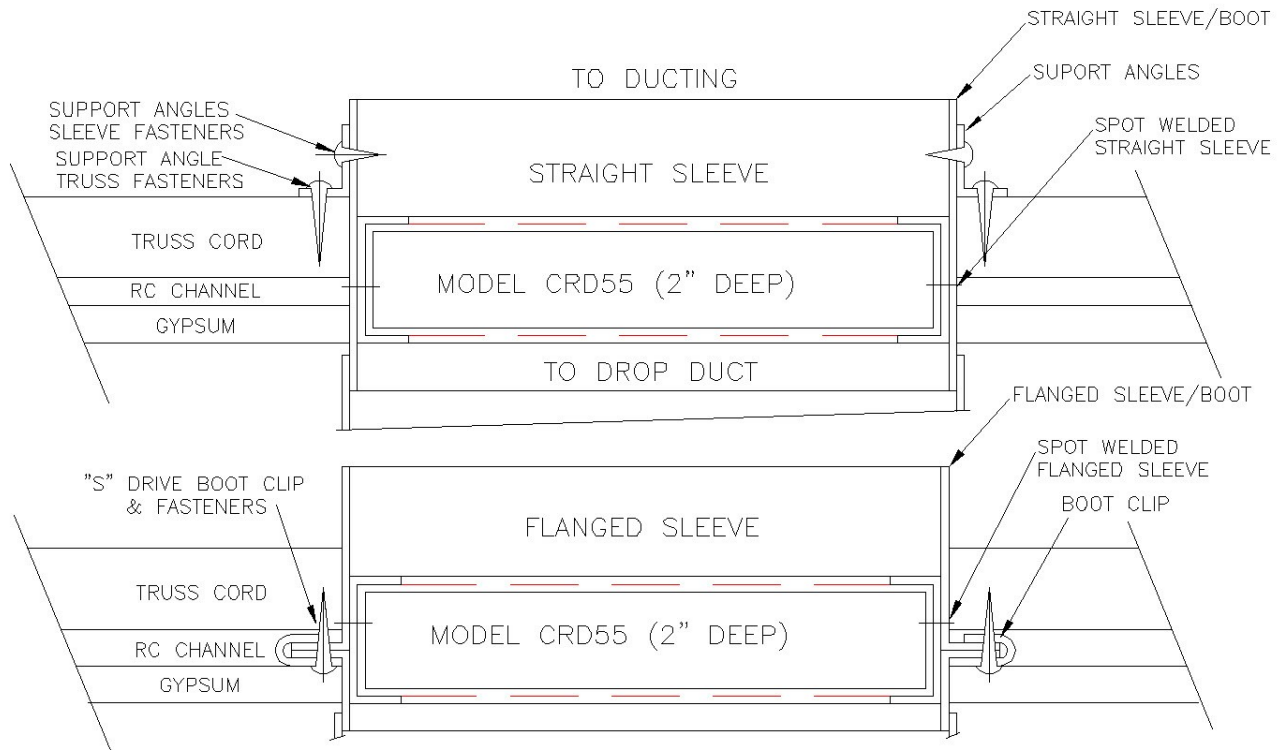
# DROP CEILING INSTALLATION INSTRUCTION

Model: CRD55 and CRD55-EA (Round)  
For Drop Duct



## ITEM DESCRIPTION

1. Ceiling Radiation damper
2. Straight sleeve (22 Ga.) (Shown)  
Optional: Flanged sleeve (see below)
3. Factory spot welds (sleeve to damper) (8) Min.
4. Support angles (2) min.  
Optional: "S" drive boot clips (2) Min.  
Use with flanged sleeves.
5. Fasteners: support angles to sleeves
6. Fasteners: support angles to truss cords  
Optional: Boot clips to truss cords
7. Wood trusses/ joists
8. Ceiling materials: Gypsum/RC channel
9. Drop ducting



Note: Fasteners & other hardware must not interfere with dampers .  
Verify damper operation & complete damper closure after installations.





## DROP CEILING INSTALLATION INSTRUCTION

Model: CRD55 and CRD55-EA (Round)  
For Drop Duct

1. Locate damper frames flush to the gypsum surface to minimize damper/sleeve heights for restricted installation spaces.
2. Fasten (2) Steel Support Angles (16 Ga 3/4" x 3/4" x 24"lg) or (22 Ga x 1-1/2" x 1-1/2" x 24" lg) to the damper sleeve using 3/16" Dia x 1/2" lg steel bolts, #8 to #10 x 1/2" lg steel sheet metal screws, or 3/16" Dia steel rivets.
3. Use (2) fasteners minimum for each support angle connection to the sleeve.  
 Note: Fasten support angles to the damper sleeve and not through the ceiling radiation damper frame.  
 Optional: Fasten self locking "S" drive boot clips onto flanged sleeves by driving.
4. Fasten the damper support angles (or optional boot clips) to truss cords using #8 to #10 x 1-1/2" lg steel wood screws, or type "S" screws.
5. Use (2) fasteners minimum for each connection to the top of truss cords for support angles, or to the bottom of truss cords for boot clips.
6. Connect ducting using the applicable SMACNA Specification Standards.

### ROUND CEILING DAMPER SIZE LIMITATIONS :

**Max. Size: 452 SQ. IN.**

Model	Maximum Diameter	Minimum Diameter
CRD-55	24"	4"
CRD-55-EA	24"	5"

