

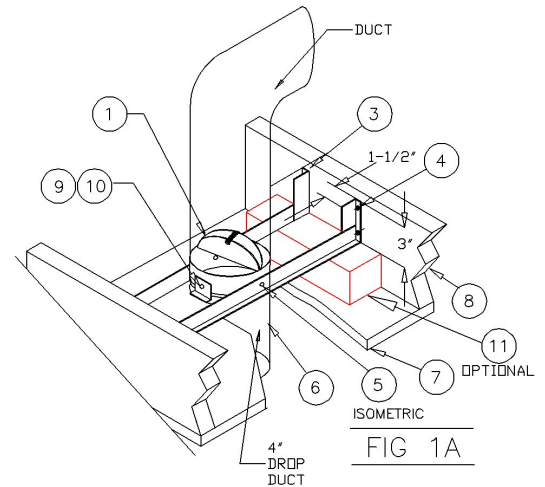
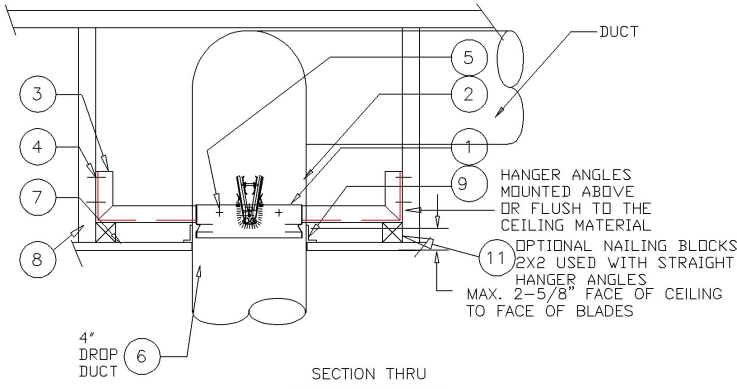


CEILING RADIATION DAMPERS

GENERAL INSTALLATION INSTRUCTIONS
MODEL CRD-55 and CRD-55-EA (ROUND)
3 HOUR OR LESS RATED PARTITIONS

ITEM

- 1. MODEL 55 CRD (ROUND) CEILING RADIATION DAMPER
2. STEEL DUCT DROP(LESS #3 PLENUM PERMITTED)
3. HANGER ANGLES (2) 1-1/2 X 1-1/2 X 16 GAUGE
4. #6 COMMON NAILS OR #8 X 1-1/4 SCREWS
5. MOUNTING FASTENERS (BOLTS, SCREWS, RIVETS)
6. DROP DUCT
7. CEILING : GYPSUM WALLBOARD
ACOUSTICAL TILE OR ACOUSTICAL PANEL (LAY-IN)
8. JOISTS, TRUSSES, BEAMS
9. STABILIZING ANGLES (2) 1/2 X 1-1/2 X 16 GA. X 3"
10. MOUNTING FASTENERS (BOLTS, SCREWS, RIVETS)



Model CRD55 and CRD55-EA Ceiling Radiation Dampers are Classified to UL 555C as 3 HR or less heat barriers illustrated in the UL Fire Resistance Directory.

Lloyd Industries MODEL CRD55 and CRD55-EA are laboratory approved for installation in all 3 hr. or less rated fire barriers listed in the Underwriters Laboratory Fire Resistance Directory.

Notes:

- 1. Before installing the damper, CRD Model 55 (round), and CRD Model 55-EA (round) open the blades and hook the fusible link over the link catch on the opposite blade.
2. Measure the actual spacing between the joists or other structural members. Allowing for a 3.00" flange at each mounting point.
3. CRD Model 55 and CRD Model 55-EA are connected to the mounting angles with sheet metal screws, rivets, or bolts.
4. CRD Models 55 and CRD Model 55-EA are connected to the stabilizing angles with sheet metal screws, rivets, or bolts.
5. The installation mounting position of the closed damper blade face must not exceed 2-5/8" from the face of the rated barrier.
6. Install the ceiling damper in the duct drop using 3/16 inch diameter by 1/2 inch long steel bolts, No. 8 by 1/2 inch steel sheet metal screws or 3/16 inch diameter by 1/2 inch long steel bolts, No. 8 by 1/2 inch steel sheet metal screws or 3/16 inch diameter steel rivets at 6 inches o.c. and a minimum of (3) places.
7. The clearance between each side of the ceiling damper and the duct drop shall be 1/8 inch maximum.
8. The maximum size of CRD Model 55 (round) and CRD Model 55-EA (round) is 24" diameter.
9. Steel/Alum. grille or diffuser to be attached to the duct drop or ceiling damper using No. 8 by 1-1/2 inch lg.sheet metal



INSTALLATION INSTRUCTIONS AND THE PRODUCTS SPECIFIED, ARE IN CONFORMANCE TO ALL OF UNDERWRITERS LABORATORIES REQUIREMENTS 555C

