



AIR CONTROL DAMPER



MODELS:
AC-30
(SINGLE BLADE SPIRAL DUCT
ROUND BALANCING DAMPER)

APPLICATION

Model AC30 is a low leakage round control damper that easily installs in round ductwork. It is designed for use in low to medium pressure and velocity commercial HVAC systems. The damper can be used as a manual balancing hand locking quadrant, an extended mount Quadrant, or using a variety of electric/pneumatic actuators.

STANDARD CONSTRUCTION

- FRAME:** 6" Deep 22/20 Ga. galvanized steel
roll formed and welded double beaded
for rigidity and spiral duct connections
- BLADES:** Single blade
16 Ga. galvanized
single "V" formed stiffener
- SEALS:** Low leakage closed cell neoprene
- BEARINGS:** Non-metallic celcon
- AXLES:** 1/2 Sq zinc plated steel stud
- FINISH:** Mill galvanized

STANDARD EXTENDED SHAFT:

1/2 inch square x 3" long zinc plated steel shaft extending 1" beyond the air control frame.

OPTIONS

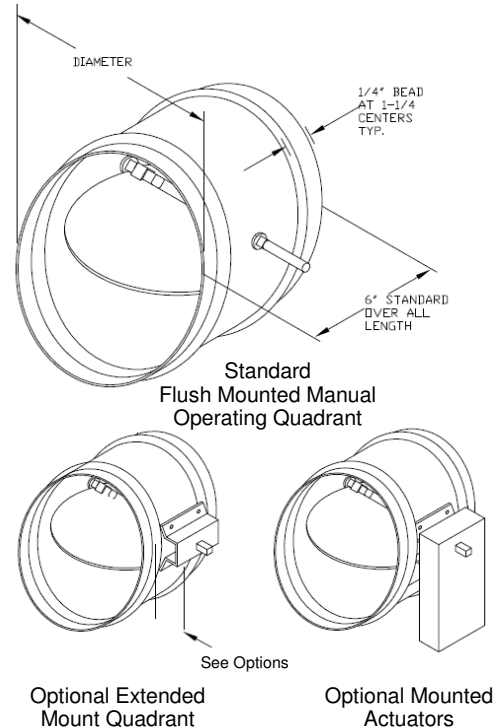
Extended Mount:

- 1-1/4" Quadrant standoff with 6" shaft
- 2-1/4" Quadrant standoff with 6" shaft

Motorized:

- 120 VAC or 24VAC
- 20 PSI with 1-1/4" or 2-1/4" standoff, and 8" shaft

Bronze bearings
Stainless steel construction



SIZING:

Damper supplied:
Order diameter less 1/4"

SINGLE SECTION SIZE AVAILABILITY

	DIAMETER
MINIMUM	4"
MAXIMUM	24"

