



## PITCHED CURB



**MODELS:**  
**LS-SFP (STEEL)**  
**LA-SFP (ALUMINUM)**

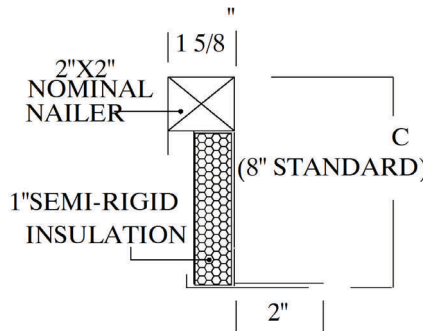
### APPLICATION

The LS-SFP/LA-SFP are Lloyd's canted curbs. LS-SFP consists of 16 gauge galvanized steel, 3lb. Density 1" thick insulation and 2"x2" nominal wood nailer. The steel insulated curb is 8" high with 1" of insulation. LA-SFP consists of aluminum alloy 3003-H-14, 3lb. Density 1" thick insulation and 2"x2" nominal wood nailer. The aluminum insulated curb is 8" high with 1" of insulation.

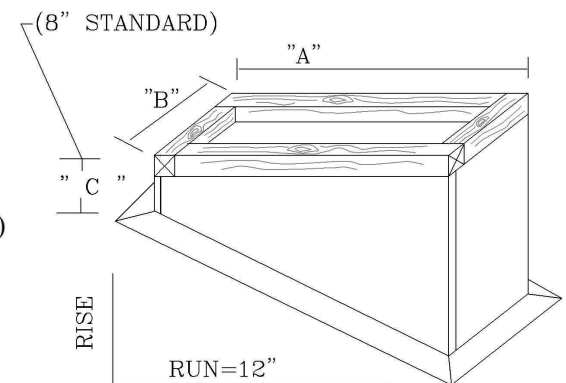
### STANDARD CONSTRUCTION

Fabricated using 16 Ga. galvanized steel  
4" Flashing Flange  
Mill finish is standard  
"C" dimension=8in. (standard)  
Damper tray optional

Side	Minimum	Maximum
A	6"	72"
B	6"	72"
C	6"	Over 24" contact factory



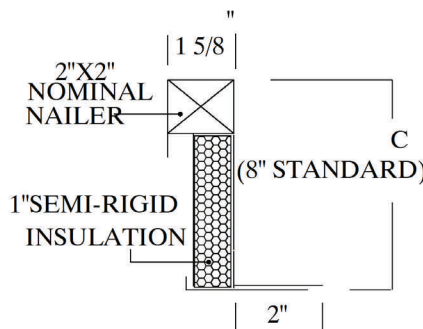
### LS-SFP STEEL PITCHED CURB



### STANDARD CONSTRUCTION

Fabricated using aluminum alloy 3003-H-14  
3lb. Density 1" thick insulation  
2"x2" nominal wood nailer  
Mill finish is standard  
"C" dimension=8in. (standard)  
Damper tray optional

Side	Minimum	Maximum
A	6"	72"
B	6"	72"
C	6"	Over 24" contact factory



### LA-SFP ALUMINUM PITCHED CURB

