



CEILING RADIATION DAMPER

MODEL:
45-LT



APPLICATION

The CRD-45-LT is for use in any fire resistive floor or roof/ceiling assembly with a restrained or unrestrained assembly rating of 3 hours or less. This product can also be applied to steel lay-in style ceiling diffusers up to 14"x14" maximum size.

Please consult factory for use in floor/ceiling and roof/ceiling designs.

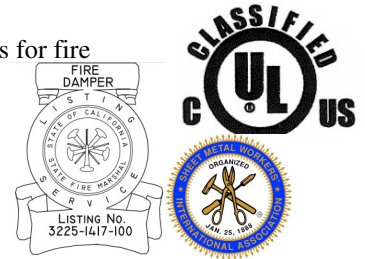
Standard Construction

1. UL listed link (165°F standard)(Max 212°F)
2. Blades 22 (0.853mm) Ga. galvanized steel
3. Roll-formed frame 22 (0.853mm) Ga. galvanized steel
4. Steel duct drop (by others).

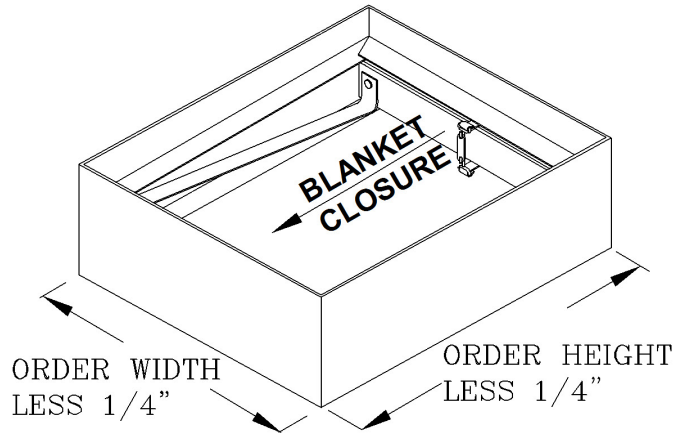
RATING:

UL CLASSIFIED: UL 555C Fire Resistance Rating
Fire resistance rated 3 Hours
Building materials rated 3 Hours

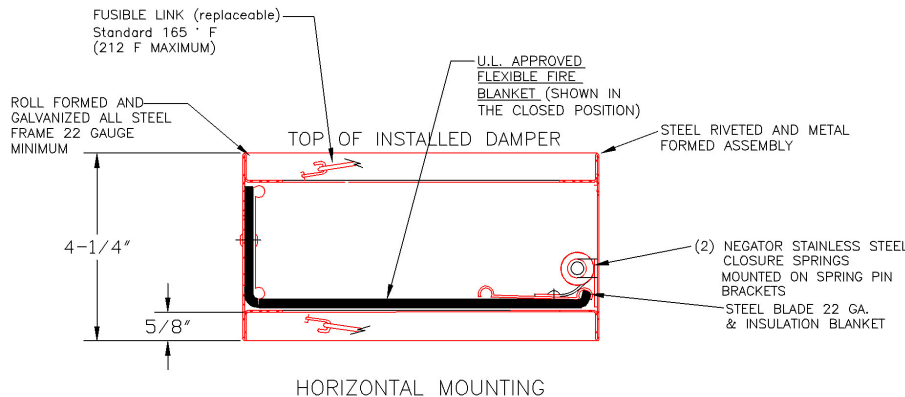
Model CRD 45-LT meets the requirements for fire dampers established by:
**CSFM California State Fire Marshal
Fire Damper Listing (#3225-1417:101)**



	Single Section	
	Width	Height
Minimum	4"	4"
Maximum	14"	14"



Model 45-LT



231 Commerce Dr. Montgomeryville, PA 18936
Tel: 215-412-4445 Fax: 215-412-4409
Email: lloydind@firedamper.com

138 Industrial Loop West, Orange Park, FL 32073
Tel: 904-541-1655 Fax: 904-541-1657
Email: lloydind1@firedamper.com

B1, 4/F., Luen Ming Hing Factory Building
36 Mok Cheong St.,
To Kwa Wan, Kowloon, H. K.
Tel: 852-2760-4188 Fax: 852-2760-4177
Email: tatanlexyim@lloydasia.com

