



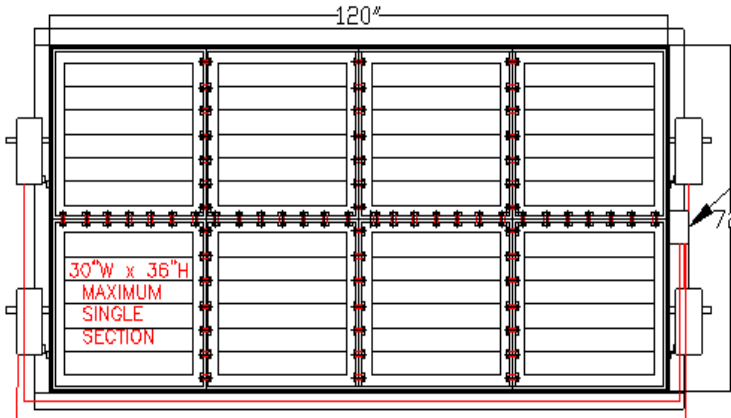
COMBINATION FIRE SMOKE DAMPER

Damper Sizing

Dampers larger than maximum single section size are supplied as a factory assembly of two or more sections of equal size.

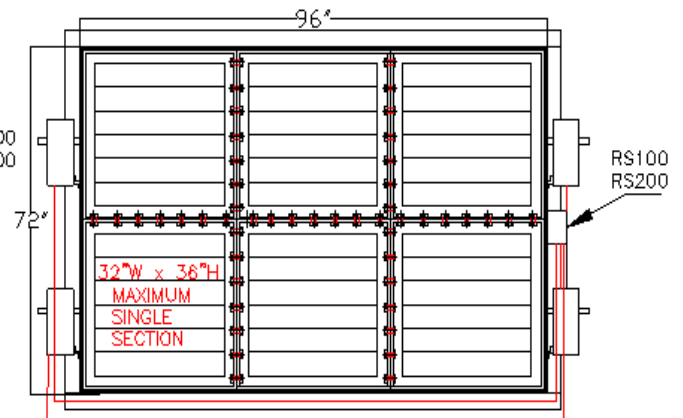
The following figures show maximum damper section size and assembly configurations for multi-section

VERTICAL INSTALLATION

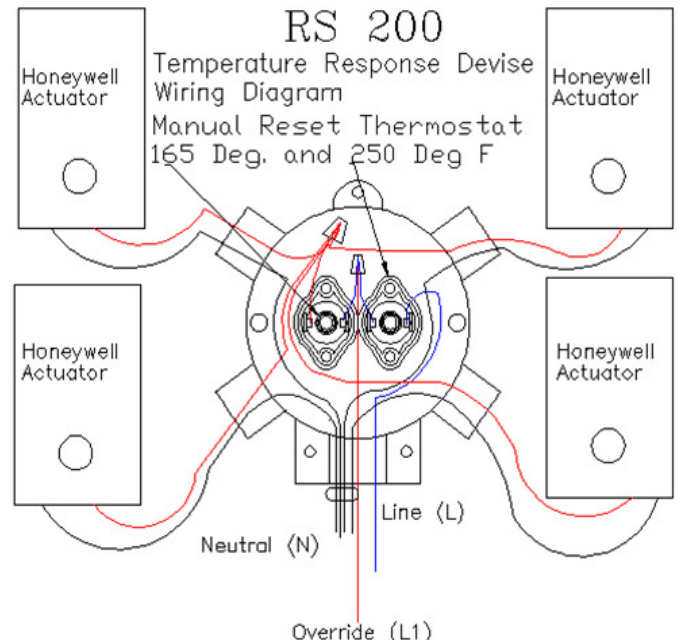
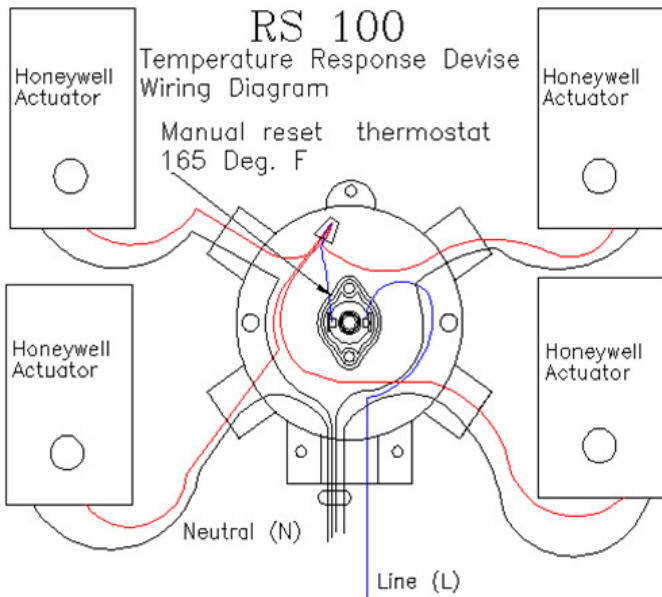


VERTICAL 120" x 72" only (4) Actuators

HORIZONTAL INSTALLATION



HORIZONTAL 96" x 72" only (4) Actuators



SPECIFICATION

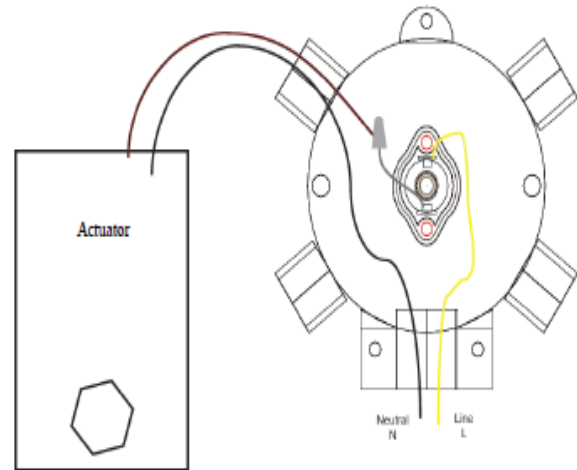
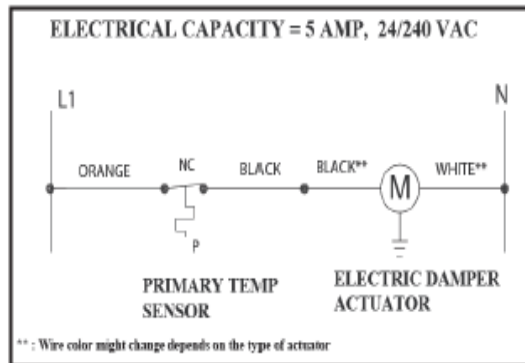
Combination fire/smoke dampers meeting or exceeding the following specifications shall be furnished and installed at locations shown on plans or as described in schedules. Dampers are classified as Smoke Dampers in accordance with the latest version of UL555S.

Appropriate electric actuators shall be installed by the damper manufacturer at time of damper fabrication. Electric actuators shall have been energized hold open tested for a period of at least 1 year with no spring return failures. Each damper shall be rated for leakage and airflow in either direction through the damper.



COMBINATION FIRE SMOKE DAMPER

MODEL RS-100



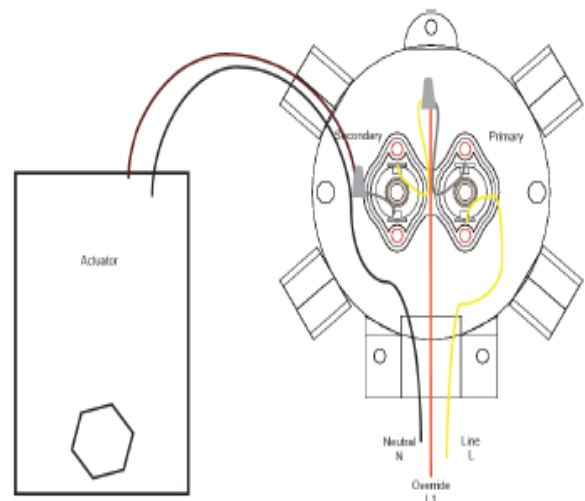
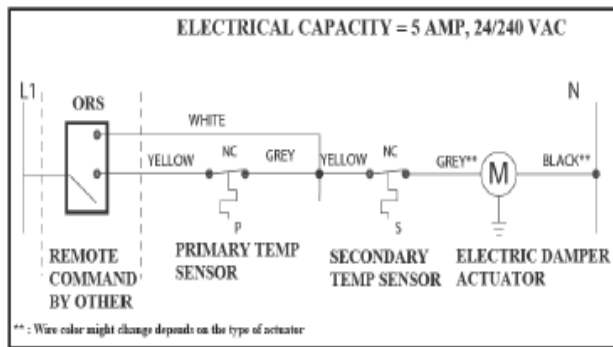
ACTUATOR CONNECTIONS

Electrical connections between damper actuators and the Reset Switch Box shall be made through 3/8" flexible conduit in compliance with applicable codes, ordinances and regulations.

CONNECTION AND OPERATION OF TEMPERATURE RESPONSE DEVICES RS-100

The device RS-100 is made of die cast aluminum with a minimum wall thickness of 2mm, which only incorporates one thermostat. Dampers will be supplied with a RS-100 device as a standard, and therefore the damper remains closed as soon as its sensor temperature is reached.

MODEL RS-200



CONNECTION AND OPERATION OF TEMPERATURE RESPONSE DEVICES RS-200 WITH OVERRIDE SWITCH (ORS)

RS-200 Dampers are made with the same construction as RS-100 but with a dual temperature-type temperature response device. The damper remains closed as soon as its primary sensor temperature is reached. The damper will remain closed until the override signal for smoke management from a remote command station is present. The duct temperature should not exceed the UL555S degradation test temperature of 250°F/350°F. Override switch to be installed in fire panel board and supplied by others.