



FIRE DAMPER

Standard Rounds Sizing Chart (Model 75-CR and 75-LCR) and (Model 75-CR-DY and 75-LCR-DY)

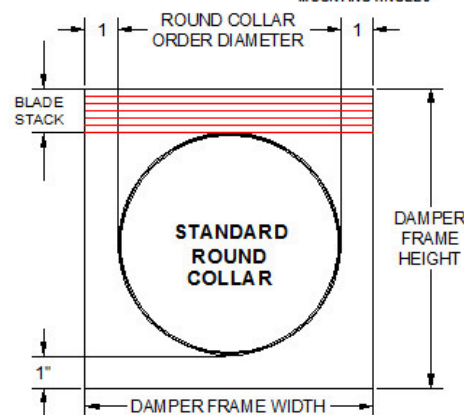
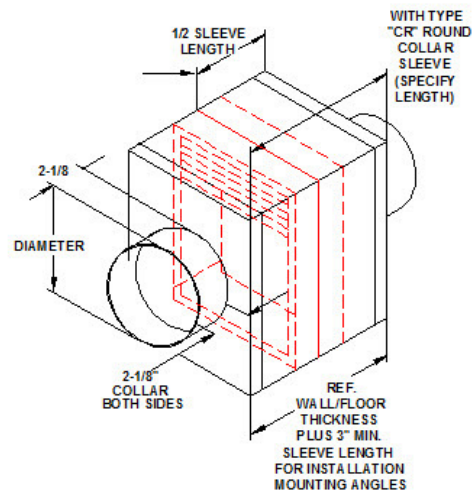
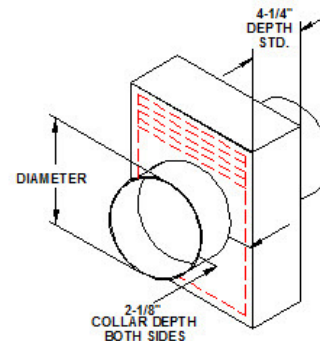
Order Size Round Collar Diameter "CR"	Nominal Damper Width "W"	Nominal Damper Height "H"	Damper Installation Rough Opening "W" x "H"
4	6	6	6 x 6
5	7	7	7 x 7
6	8	8	8 x 8
7	9	9	9 x 9
8	10	11	10 x 11
9	11	12	11 x 12
10	12	13	12 x 13
11	13	14	13 x 14
12	14	15	14 x 15
13	15	16	15 x 16
14	16	17	16 x 17
15	17	18	17 x 18
16	18	19	18 x 19
17	19	21	19 x 21
18	20	22	20 x 22
19	21	23	21 x 23
20	22	24	22 x 24
21	23	25	23 x 25
22	24	26	24 x 26
23	25	27	25 x 27
24	26	28	26 x 28
25	27	29	27 x 29
26	28	30	28 x 30
27	29	32	29 x 32
28	30	33	30 x 33
29	31	34	31 x 34
30	32	35	32 x 35
31	33	36	33 x 36
32	34	37	34 x 37
33	35	38	35 x 38
34	36	39	36 x 39
35	37	40	37 x 40
36	38	42	38 x 42
37	39	43	39 x 43
38	40	44	40 x 44
39	41	45	41 x 45
40	42	46	42 x 46
41	43	47	43 x 47
42	44	48	44 x 48
43	45	49	45 x 49
44	46	50	46 x 50
45	47	52	47 x 52
46	48	53	48 x 53
47	49	54	49 x 54
48	50	55	50 x 55
49	51	56	51 x 56
50	52	57	52 x 57
51	53	58	53 x 58
52	54	59	54 x 59

ROUND COLLAR DIAMETERS ARE PROVIDED NOMINAL SIZE LESS 1/4"

DAMPER W X H DIMENSIONS ARE PROVIDED NOMINAL SIZE LESS 1/4"

FOR NON-STANDARD DIAMETERS CONSULT THE FACTORY FOR PRICE, AVAILABILITY, AND DELIVERY.

ALL ROUND COLLAR DAMPERS ARE PROVIDED WITH BLADES OUT OF AIR STREAM TO MAXIMIZE FREE AREA & AIR FLOW.



231 Commerce Dr. Montgomeryville, PA 18936
Tel: 215-412-4445 Fax: 215-412-4409
Email: lloydind@firedamper.com

138 Industrial Loop West, Orange Park, FL 32073
Tel: 904-541-1655 Fax: 904-541-1657
Email: lloydind1@firedamper.com

B1, 4/F., Luen Ming Hing Factory Building
36 Mok Cheong St.,
To Kwa Wan, Kowloon, H. K.
Tel: 852-2760-4188 Fax: 852-2760-4177
Email: tatanlexyim@lloydasia.com

