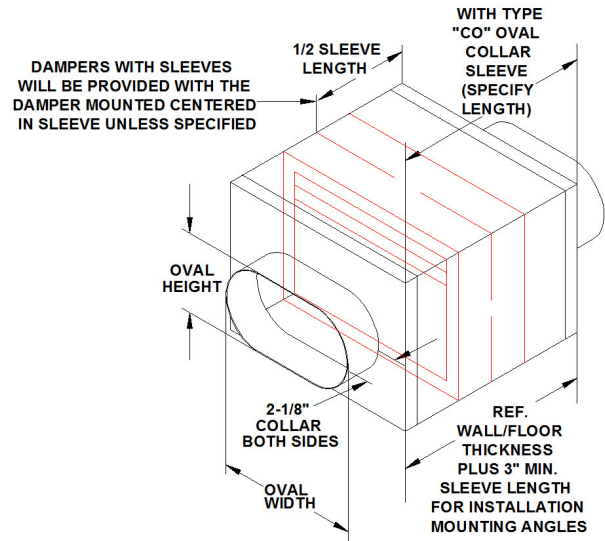
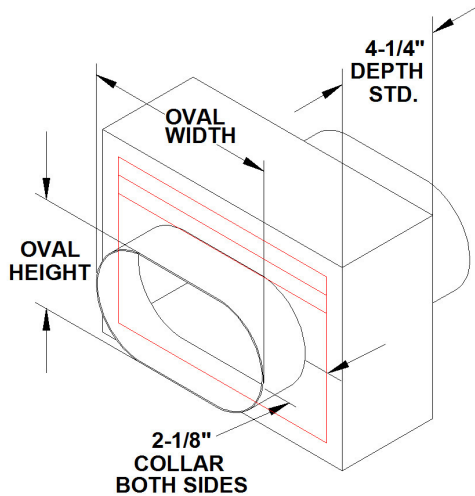
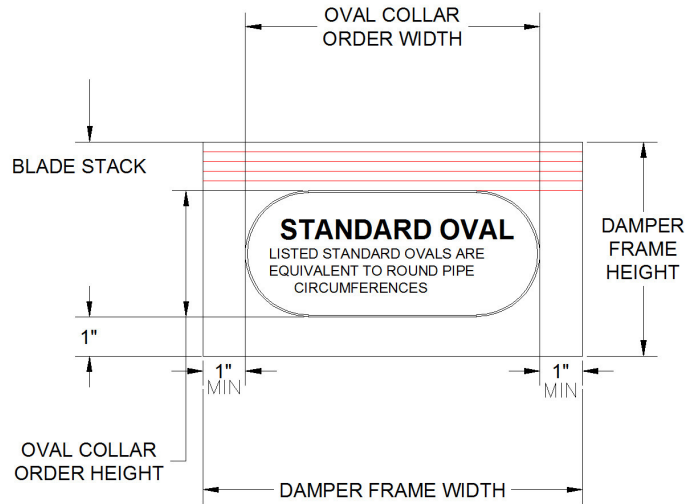




FIRE DAMPER

Standard Ovals Sizing Chart (Model 75-CO and 75-LCO)

Round Collar Equivalent	Order Size Oval Collar Width x Height	Damper Installation Rough Opening "W" x "H"
3-1/4" Height Oval Collar		
4"	4.413x3.250	6-3/8x5-1/4
5"	5.999x3.250	8 x 5-1/4
6"	7.569x3.250	9-9/16 x 5-1/4
7"	9.140x3.250	11-1/8 x 5-1/4
8"	10.711x3.250	12-3/4 x 5-1/4
9"	12.282x3.250	14-1/4 x 5-1/4
10"	13.853x3.250	15-7/8 x 5-1/4
12"	16.994x3.250	19 x 5-1/4
14"	20.136x3.250	22-1/8 x 5-1/4
16"	25.277x3.250	27-1/4 x 5-1/4



NOTES:

1. ORDER DAMPERS PROVIDING OVAL COLLAR WIDTH "W" X OVAL COLLAR HEIGHT "H". (REFER TO ROUND EQUIV.)
2. THE LISTED OVAL SIZES REPRESENT ROUND DUCT CIRCUMFERENCE EQUIVILANTS.
3. DAMPERS WILL BE PROVIDED TO THE LISTED NOMINAL SIZES LESS 1/4".
4. OVAL COLLARS WILL BE PROVIDED NOMINAL SIZE LESS 1/4".
5. FOR NON-STANDARD OVAL SIZES CONSULT THE FACTORY FOR PRICE AND DELIVERY.
6. ALL OVAL DAMPERS ARE PROVIDED WITH BLADES OUT OF THE AIR STREAM TO MAXIMIZE FREE AREA & AIR FLOW.

