



DYNAMIC FIRE DAMPER



MODELS: 75A-DY (1-1/2 HR rating)

APPLICATION

The model 75A-DY is constructed with standard construction-galvanized steel. 75A-DY is 1-1/2 hour UL rated dynamic damper for use in HVAC systems that remain in operation during a fire. The unit can be installed vertically in walls or horizontally in floors .

RATING:

UL CLASSIFIED:

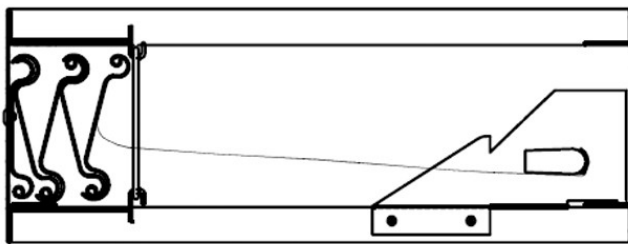
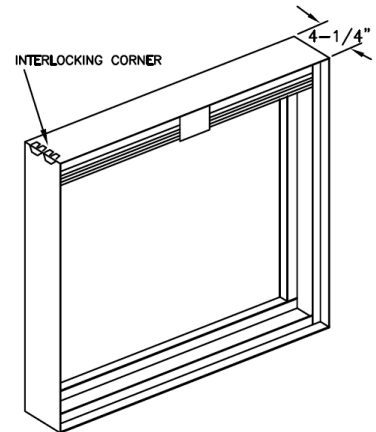
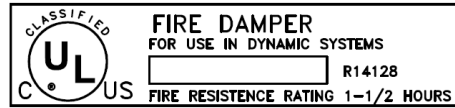
UL 555 Fire Resistance Rating
Fire resistance rated 1-1/2 Hours
Building materials rated in 2 hours fire partition

Standard Construction

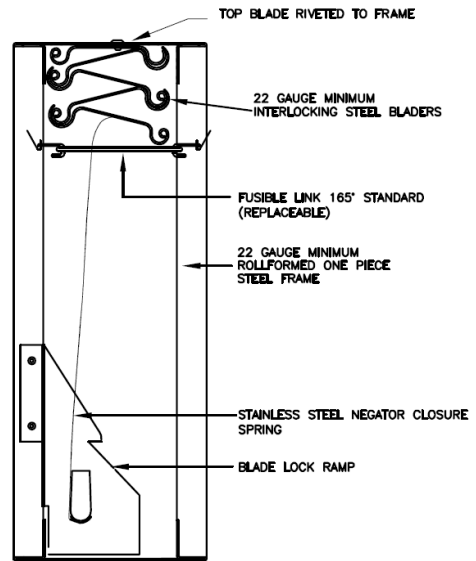
- Frame: 22 ga. Galvanized Steel
Blade: 22 ga. Galvanized Steel
Closure Spring: Stainless Steel
Fusible Link: 165°F
Mounting: Horizontal or Vertical

Dynamic Fire Dampers:
Bi-directional
2000 FPM maximum velocity
4.0 WG maximum static pressure

Features horizontal closure
spring operation under airflow in HVAC
systems where fans remain running in
Fire and smoke control dynamic fire dampers bear a label
Attesting to airflow and maximum static pressure limits.



HORIZONTAL MOUNT



VERTICAL MOUNT

Table with 3 columns: Mounting, Single Section (Minimum/Maximum Size), and Multiple Section (Maximum Size). Rows for Vertical and Horizontal mounting.

231 Commerce Dr. Montgomeryville, PA 18936
Tel: 215-412-4445 Fax: 215-412-4409
Email: lloydind@firedamper.com

138 Industrial Loop West, Orange Park, FL 32073
Tel: 904-541-1655 Fax: 904-541-1657
Email: lloydind1@bellsouth.net

B1, 4/F., Luen Ming Hing Factory Building
36 Mok Cheong St.,
To Kwa Wan, Kowloon, H. K.
Tel: 852-2760-4188 Fax: 852-2760-4177
Email: tatanlexyim@lloydasia.com

