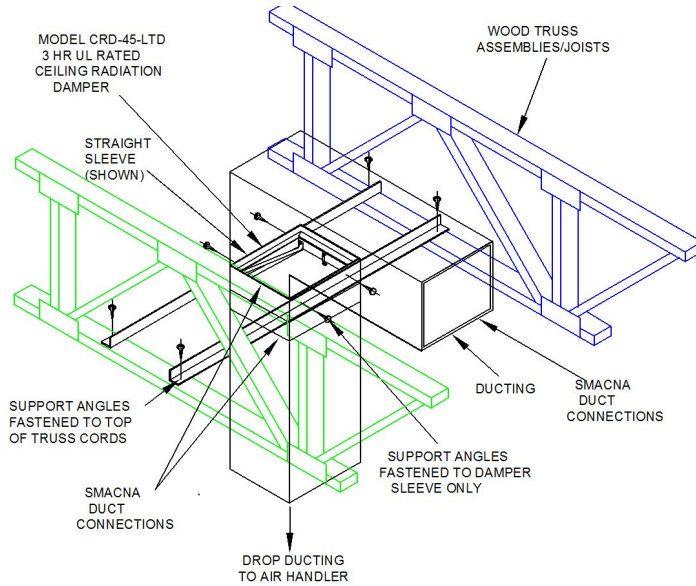




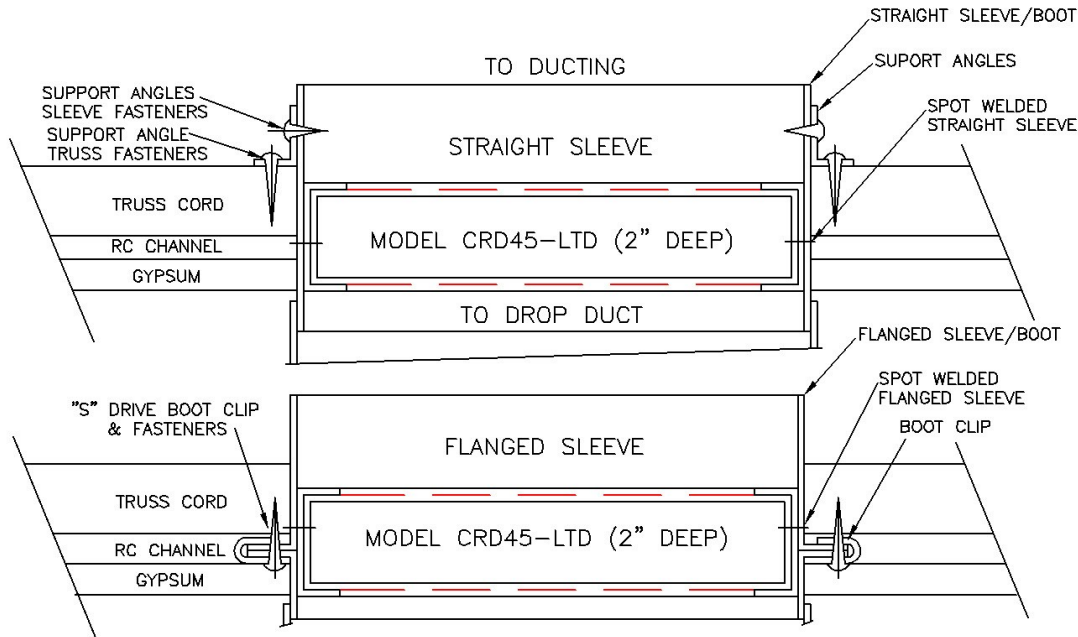
DROP CEILING INSTALLATION INSTRUCTION

Model: CRD45-LTD Thin Line (Rectangular and Horizontal)
For Drop Duct



ITEM DESCRIPTION

1. Ceiling Radiation damper
2. Straight sleeve (22 Ga.) (Shown)
Optional: Flanged sleeve (see below)
3. Factory spot welds(sleeve to damper) (8) Min.
4. Support angles (2) min.
Optional: "S" drive boot clips (2) Min.
Use with flanged sleeves.
5. Fasteners: support angles to sleeves
6. Fasteners: support angles to truss cords
Optional: Boot clips to truss cords
7. Wood trusses/ joists
8. Ceiling materials: Gypsum/RC channel
9. Drop ducting



Note: Fasteners & other hardware must not interfere with dampers .
Verify damper operation & complete damper closure after installations.

Rectangular ceiling damper size limitations

Maximum Size	Maximum width	Maximum length	Minimum width	Minimum length
196 SQ.IN.	14"	14"	4"	4"

