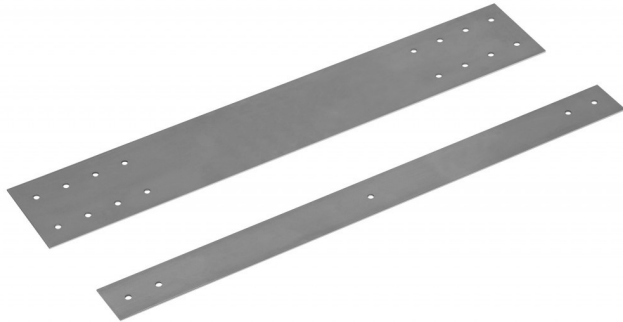




## STUD PROTECTORS

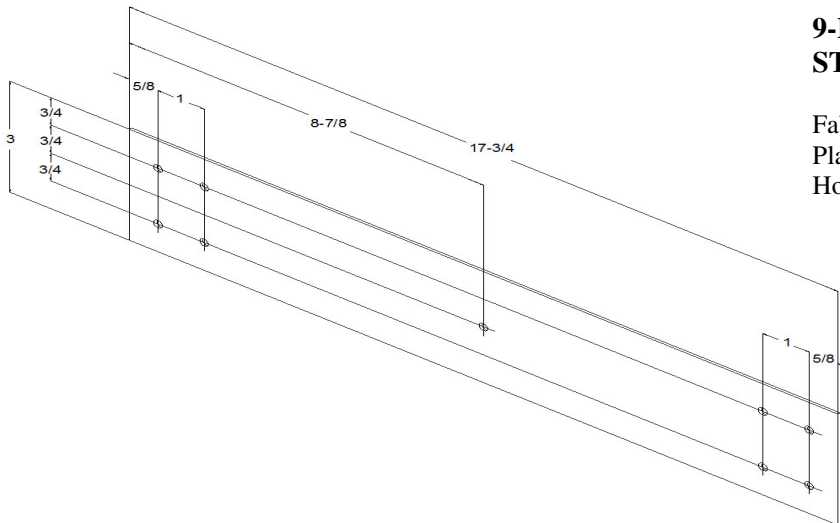
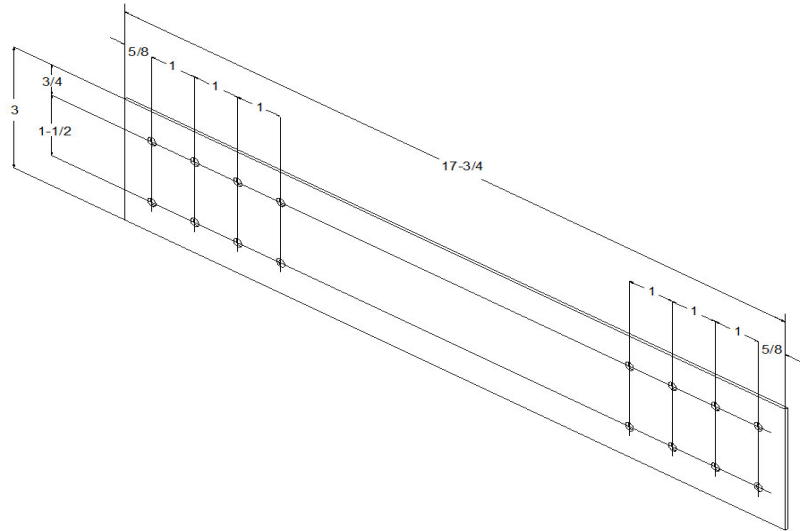


### APPLICATION

Lloyd's Stud protectors are plate protectors with nail holes that are used over studs and joists to protect the pipe from being damaged by drywall screws. Manufactured from 16 Gauge Galvanized Steel.

### **16-Hole Pattern (3"x18" Plate) STANDARD CONSTRUCTION**

Fabricated using 16 gauge galvanized steel  
Plate Size: 3" Width x 18" Long  
Hole Size: 3/16" Diameter



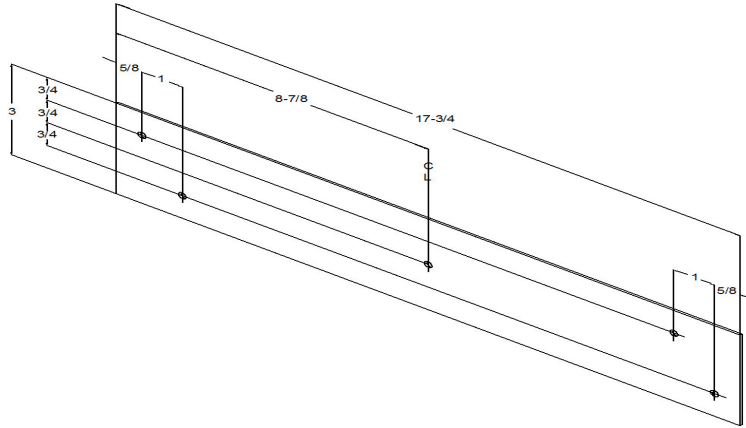
### **9-Hole Pattern (3"x18" Plate) STANDARD CONSTRUCTION**

Fabricated using 16 gauge galvanized steel  
Plate Size: 3" Width x 18" Long  
Hole Size: 3/16" Diameter





## STUD PROTECTORS

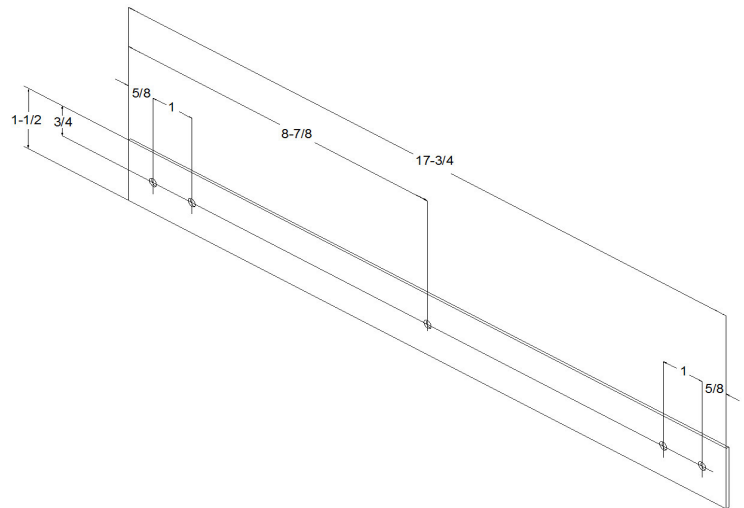


### 5-Hole Pattern (3"x18" Plate) STANDARD CONSTRUCTION

Fabricated using 16 gauge galvanized steel  
Plate Size: 3" Width x 18" Long  
Hole Size: 3/16" Diameter

### 5-Hole Pattern (1-1/2"x18" Plate) STANDARD CONSTRUCTION

Fabricated using 16 gauge galvanized steel  
Plate Size: 1-1/2" Width x 18" Long  
Hole Size: 3/16" Diameter



### 3-Hole Pattern (1-1/2"x18" Plate) STANDARD CONSTRUCTION

Fabricated using 16 gauge galvanized steel  
Plate Size: 1-1/2" Width x 18" Long  
Hole Size: 3/16" Diameter

