



SLEEVES FIRE/SMOKE DAMPERS WITH COLLARS

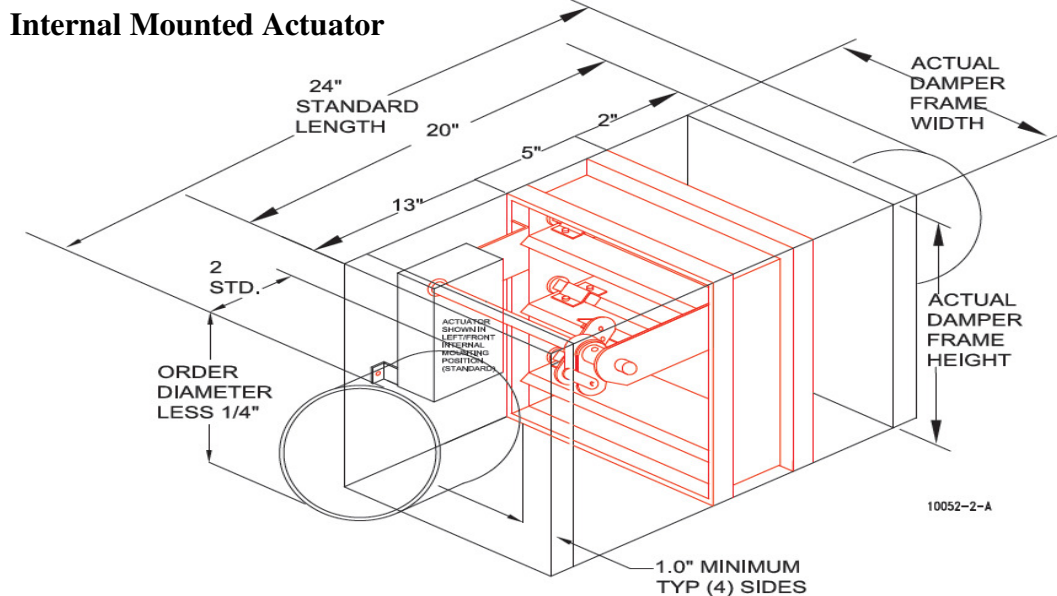
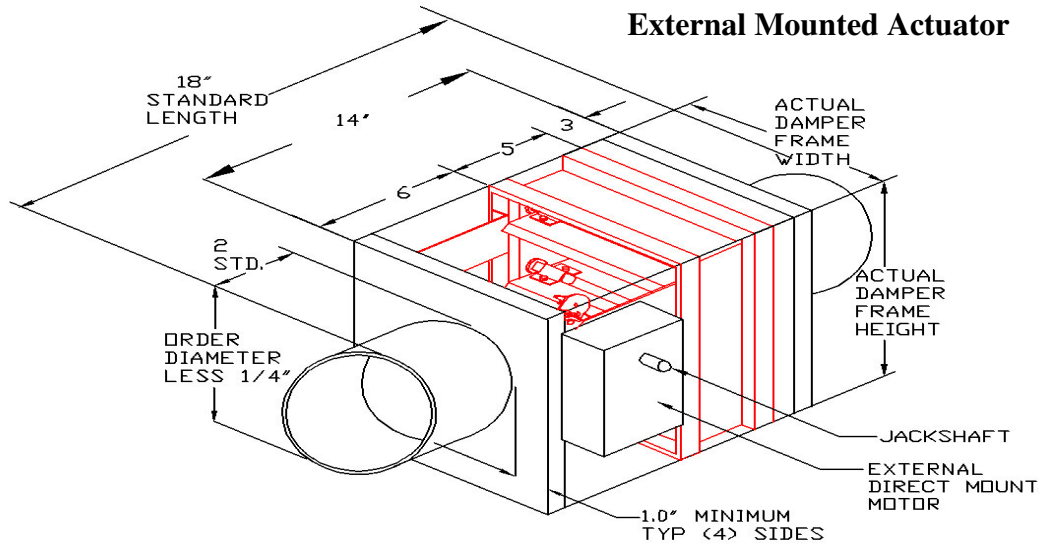
Model FSD-111, CFSD-222, SD-333

Standard sleeve dimensions for dampers with external or internal mounted actuators

Type CR-Round

Type CO Oval

Type C reduced rectangle



Single section size	
	Size (Diameter)
Minimum	4"
Maximum	34"

FSD-111-1CR round type shown





SLEEVES FIRE/SMOKE DAMPERS

SLEEVE TRANSITION DIMENSIONAL INFORMATION

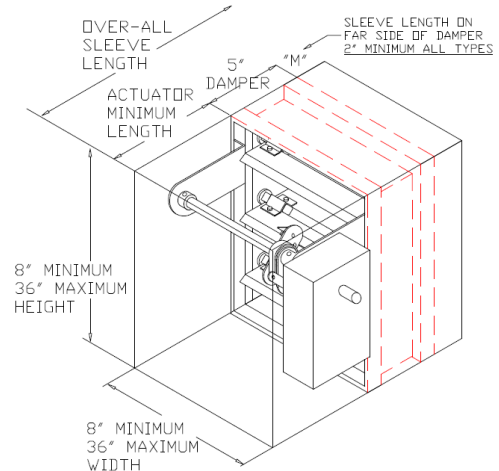
STANDARD SLEEVES

Fire smoke dampers and corridor fire smoke dampers will be supplied with factory mounted sleeves.
Type "A" sleeve for standard system ducting to the catalog dimensions unless otherwise specified.

Non-standard "A" sleeve ordering information

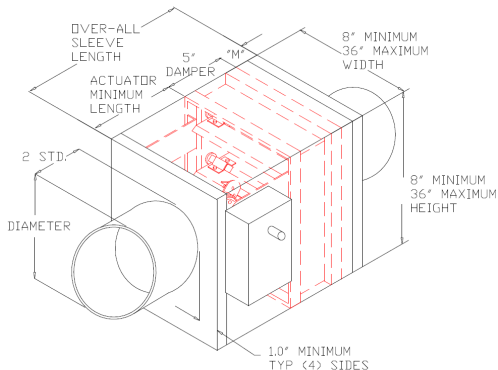
To determine a non-standard sleeve length

1. Establish damper width x height.
2. Determine the actuator type, model, and mounting type.
3. Establish the minimum actuator mounting distance from the mounting diagrams.
4. Determine the sleeve distance "M" opposite to the actuator side of the damper.
5. Add the actuator mounting distance to the "M" distance and the 5.00" damper thickness.
6. Integral flanges 1-1/2" wide can be provided on sleeves when specified.

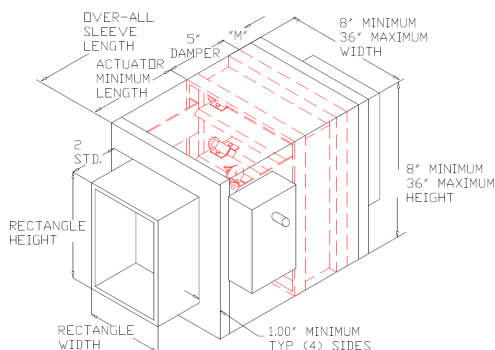


Standard sleeve
Type "A"

SLEEVE TRANSITIONS

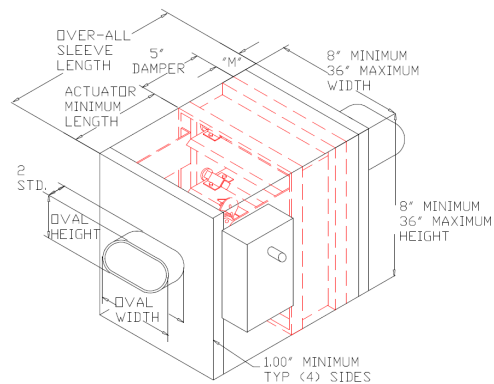


Type "CR"- Round
Specify the round ducting diameter.
(The actual damper frame will be +2.00"W x +2.00H)



Type "C"- Rectangle
Specify the rectangle width x rectangle height
(The actual damper frame will be +2.00"W x +2.00H)

Fire smoke dampers and corridor fire smoke dampers can be supplied with factory mounted sleeves to transition to round, square, rectangular, oval, or special system ducting.



Type "CO"- Oval
Specify the oval width x oval height
(The actual damper frame will be +2.00"W x +2.00H)

When ordering specify:
W x H x L x Gauge.
And distance "M" when "M" is not specified dampers will be centered in sleeve.