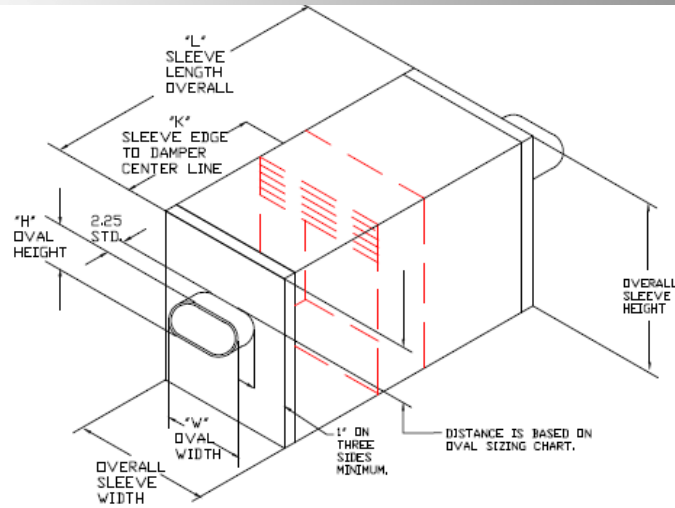


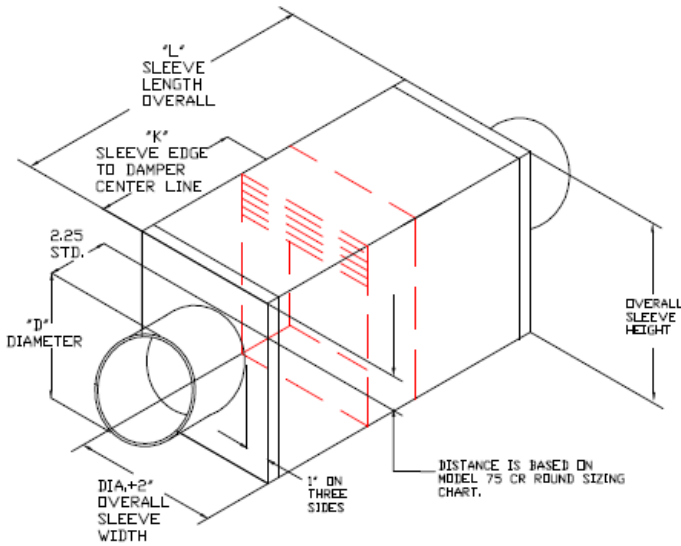


SLEEVES MODEL 75 CURTAIN FIRE DAMPERS

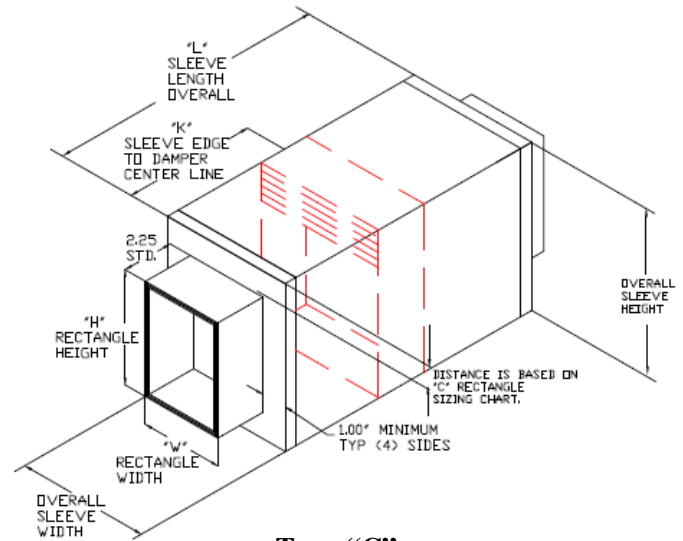


MODEL:
75C RECTANGLE
75CR ROUND
75CO OVAL

Type "CO"
Oval Sleeve



Type "CR"
Round Sleeve



Type "C"
Rectangle Sleeve

* When ordering specify:

Rectangle x Width x Height x Length x Gauge + "K" dimension

When not specified, dampers will be provided centered in sleeve length. (L/2)

SLEEVE DIMENSIONAL INFORMATION FOR CURTAIN FIRE DAMPERS AND DOORS

- Dampers and sleeves are always priced and ordered by W x H or dimensions as shown above. The type C, CR, and CO require the damper to be oversized. Actual overall dimensions can be determined by adding sleeve material thickness to the basic damper dimensions (after allowing for the standard 1/4" damper under sizing).
- "K" distance may be ordered at any dimension up to the sleeve length less one half the damper frame width. If "K" dimension is not specified, "K" dimension will be provided as sleeve length, L/2 (damper on centerline).

