



SMOKE DAMPERS



MODELS:
SD-333-2-PB Low Leakage
(UL-555S Leakage Class 2 Classified)

APPLICATION

The SD-333-2-PB is designed to control the flow of air and smoke in HVAC systems, which will shut down in the event of a fire. The movement of smoke through the building is controlled by the Smoke damper.

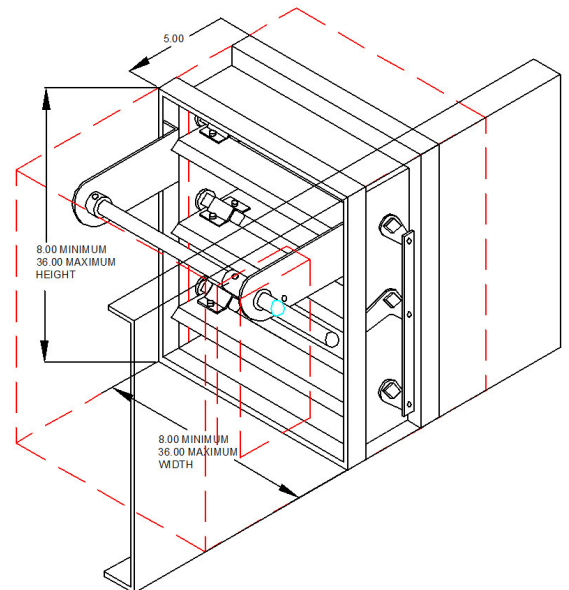
OPERATIONAL RATING

Velocity: up to 2000 fpm (24"x24" 4000fpm)
Pressure: up to 4 in. wg
INSTALLATIONS: Vertical and Horizontal
OPERATION: Parallel Blade

STANDARD CONSTRUCTION

POWER OPEN/SPRING CLOSURE

- FRAME:** 16 Ga. galvanized steel interlocking Stacked hat section channel frame construction
- BLADES:** 16 GA. galvanized 3"V" formed
- BEARINGS:** Sintered bronze, oil impregnated
- AXLES:** 1/2 Sq zinc plated steel studs
- LINKAGE:** .12 X .50 Zinc plated steel concealed in the channel frame
- FINISH:** Mill galvanized
- BLADE SEALS:** 60-65 Durometer silicone rubber with laminated acrylic adhesive permanently bonded to blade edges.
- JAMB SEALS:** Corrosion resistant stainless steel
- JACKSHAFT:** 1/2" Dia. zinc plated steel with jackshaft connector coupling



OPTIONAL MATERIAL:

Stainless steel construction

ACTUATOR:

- Specify type: electric or pneumatic
- Specify brand: SIEMENS, HONEYWELL, BELIMO
- Specify mounting: external or internal
- Specify voltage: 24V, 120V, 220V

PRODUCT LABELS OF CERTIFICATION



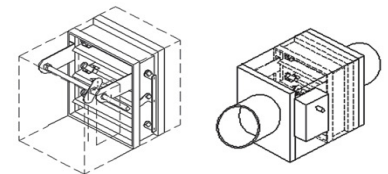
CONFORMING TO UL-555S

PERFORMANCE TESTING
BY: AMCA INTERNATIONAL
IN ACCORDANCE TO AMCA
STD 500

ACCEPTED FOR USE CITY OF
NEW YORK DEPARTMENT
OF BUILDING MEA 215-99-E

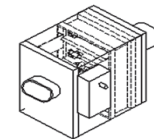
SLEEVE OPTIONS

- Round transition (Type CR)
- Oval transition (Type CO)
- Rectangular transition (Type C)

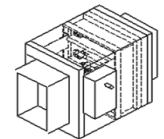


Model SD-333-1-PB

Model SD-333-1-PB (Round type "CR")



Model SD-333-1-PB (Oval type "CO")



Model SD-333-1-PB (Rectangular type "C")

	Class 1	Class 2
Single Section		
Minimum	8"x8"	8"x8"
Maximum	36"x36"	36"x36"
Multi-Section		
Maximum	144"x72"	144"x72"

231 Commerce Dr. Montgomeryville, PA 18936
Tel: 215-412-4445 Fax: 215-412-4409
Email: lloydind@firedamper.com

138 Industrial Loop West, Orange Park, FL 32073
Tel: 904-541-1655 Fax: 904-541-1657
Email: lloydind1@firedamper.com

B1, 4/F., Luen Ming Hing Factory Building
36 Mok Cheong St.,
To Kwa Wan, Kowloon, H. K.
Tel: 852-2760-4188 Fax: 852-2760-4177
Email: tatanlexyim@lloydasia.com

