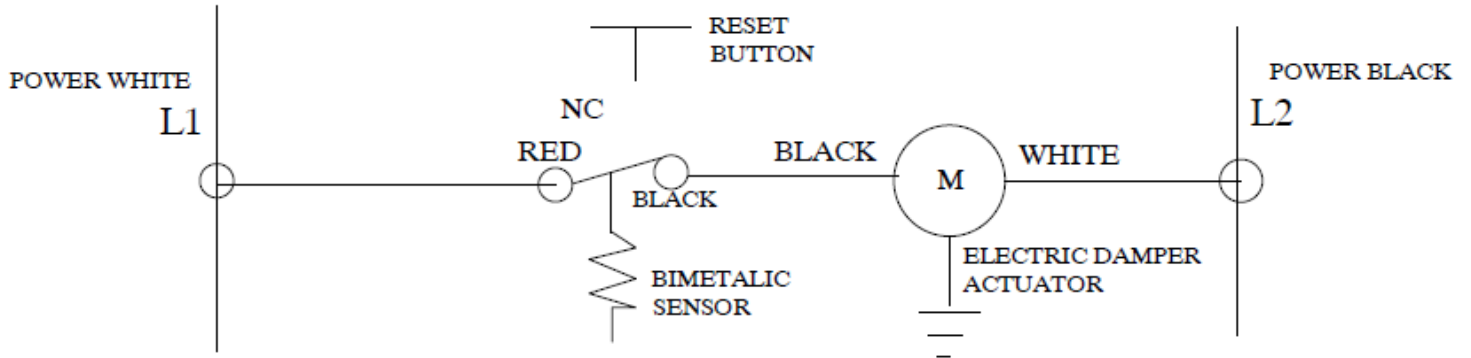




WIRING DIAGRAMS

NORMAL OPERATING CONDITION



HIGH TEMPERATURE CONDITION

