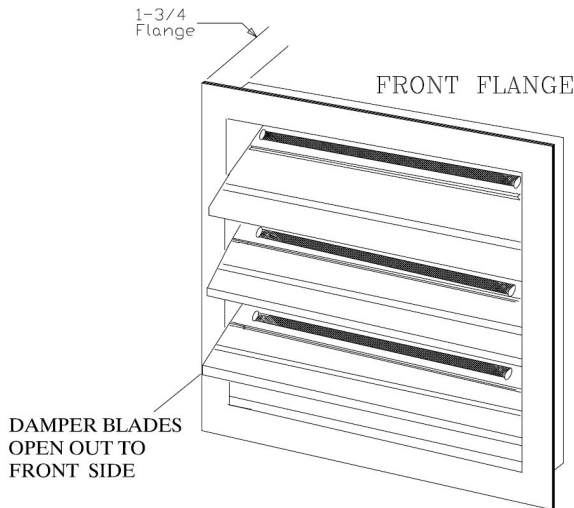




BACKDRAFT DAMPER

MODELS:
LBDF-2 (with Front Flange)



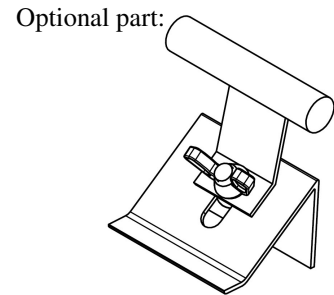
APPLICATION

The LBDF-2 is a vertical/horizontal mounted Backdraft Damper that is designed to allow vertical/horizontal airflow and prevent reverse airflow. The damper is opened by air pressure differential and closed by gravity.

OPTIONAL BLADE COUNTERWEIGHTS:

Counterweights available on request

Note: Dampers will be provided less counterweights unless specified.



STANDARD CONSTRUCTION

FRAME: 6063T5 Extruded aluminum
Minimum wall thickness 16 Ga.

BLADES TYPE: 6063T5 Extruded aluminum 16 Ga.
counter balance rod holder
Built into rear of blades

SEALS: Vinyl blade

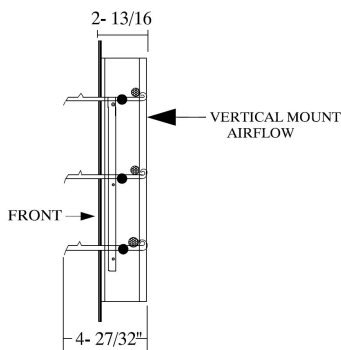
AXLES: Cast aluminum

LINKAGE: 16 Ga. x 5/8" wide aluminum
concealed in the channel frame

ORIENTATION: Horizontal or vertical

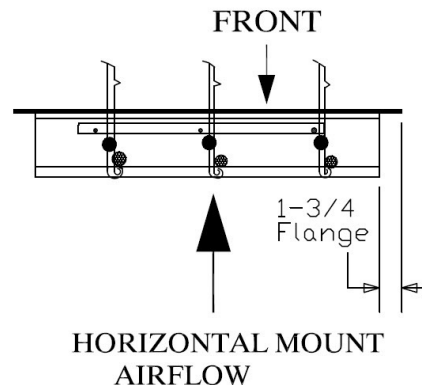
FINISH: Mill finish

MODEL AND MOUNTING SELECTION



- MODEL: LBDF-2
- Vertical Installation
 - Flangeless Duct Mounting

- MODEL: LBDF-2
- Horizontal Installation



Single Section		Multiple Section
Minimum Size (WxH)	Maximum Size	Maximum Size
6"x6"	36"x60"	UNLIMITED

NOTE:

When used in fan discharge applications, damper should be at least half the fan diameter distance from fan discharge.

Damper is 1/4" less than ordered dimensions unless specified "ACTUAL SIZE".

