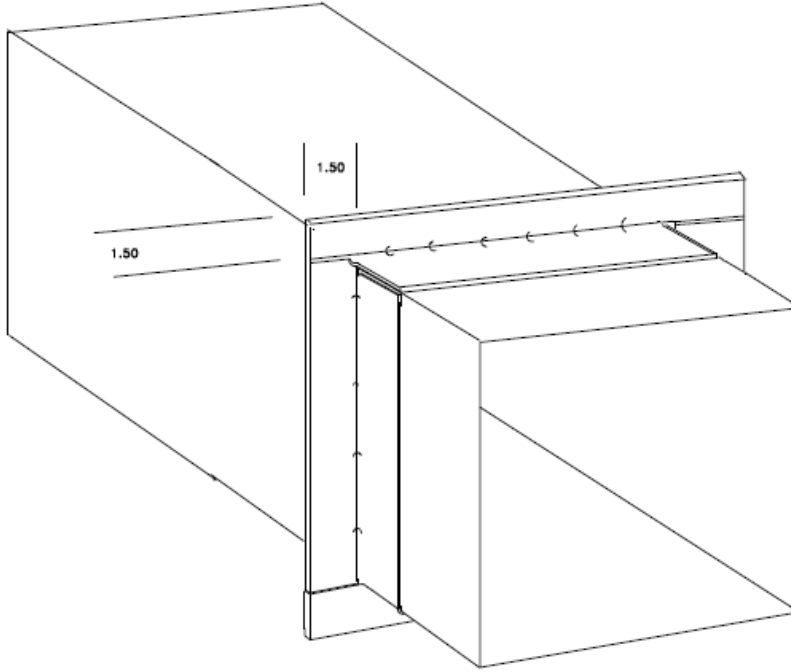




DAMPER ACCESSORIES

LLOYD “RAPID MOUNTING ANGLES”



Installation has been made easier with the new Lloyd “rapid mounting angle” for single sided retaining angle installation.

For openings in metal stud, and concrete/masonry walls and floor.

* Lloyd rapid mounting angle as mounted in the field. The rapid angle wraps around the sleeve complete installation from one side. Meets requirements of UL555 and 555S.

CLOSURE INDICATION SWITCH FOR CURTAIN FIRE DAMPERS

Mounting bracket, micro-switch, and probe

