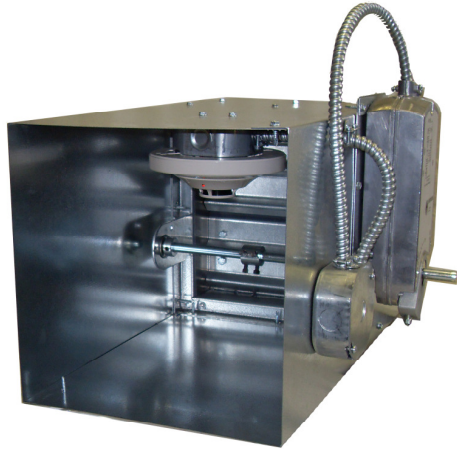




# FIRE SMOKE DAMPER WITH SMOKE DETECTOR

**MODELS:  
FSD-111-1-PB-B114LP**



### APPLICATION

The FSD-111-1PB-B114LP is a fire smoke damper with a plug-in smoke detector. The smoke detector is UL 268A listed specifically for use in no-flow/low-flow air-handling systems. It's designed for installation where a standard venture principle duct smoke detector is unsuitable. This is the perfect combination for installation in ducts where the air velocity is below 500 fpm or for duct size as small as 8 inches in diameter.

### RATINGS

Fire rating:	1-1/2 Hours or FSDL 3 Hours
Ultra low leakage:	Class 1
Dynamic closure rating:	Actual limits are size dependent
Maximum velocity:	2000fpm
Maximum pressure:	4.0" W.G.

### STANDARD CONSTRUCTION

**FRAME:** 5in. X 1in. Channel  
16 Ga. (1.5mm) galvanized steel

**BLADES :** 16 Ga. 3V

**BEARINGS:** Bronze

**AXLES:** 1/2 Sq. zinc plated steel studs

**LINKAGE:** 0.12x0.50 Zinc plated steel  
concealed in the channel frame

**FINISH:** Mill galvanized

**AIR FLOW:** Bi-Directional

**JACKSHAF:** 1/2" Dia. zinc plated steel with  
jackshaft connector coupling

**FUSIBLE LINK:** 165 Degree

### OPTIONS:

Stainless steel construction  
Fusible link 212 degree  
Lloydstat

### FSDL FIRE RATING 3 HOURS

### ACTUATOR:

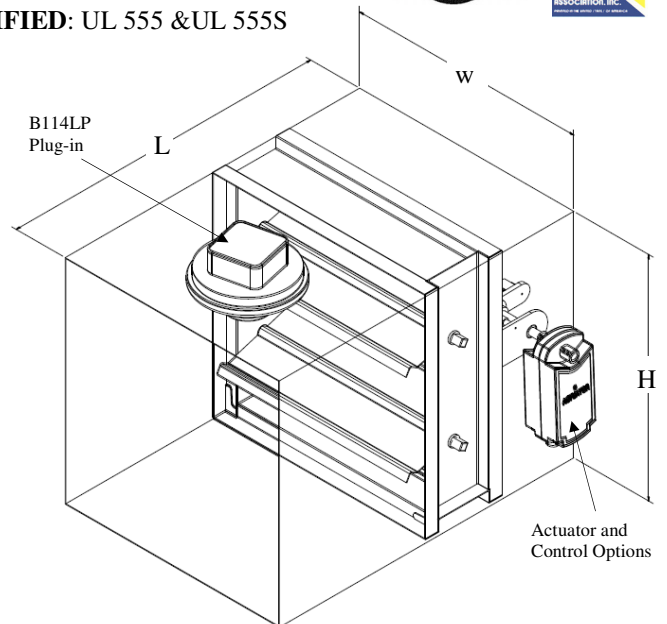
Specify type: electric or pneumatic  
Specify brand: SIEMENS, BELIMO, HONEYWEL  
Specify mounting: external or internal  
Specify voltage: 24V, 120V, 220V

Model FSD-111-1-PB-B114LP meets the requirements for fire dampers, smoke dampers and combination fire smoke dampers established by:

**CSFM California State Fire Marshal  
Fire Damper Listing (#3225-1417:102)  
Leakage (Smoke) Damper Listing (#3230-1417:103)  
British Standard (BS – 476 Part 20)  
Performance testing by AMCA International  
HKFM Hong Kong fire Marshal Approval**



**UL CLASSIFIED: UL 555 & UL 555S**



**NOTE:**  
Dampers supplied 1/4" less than order width and height

Single Section		Multiple Section
Minimum Size (WxH)	Maximum Size (WxH)	Maximum Size (WxH)
8"x8"	36"x36"	72"x72" (vertical)
	30"x36"	120"x72" (vertical)
	32"x36"	96"x72" (Horizontal)

