



ACCESS DOORS



**MODEL:
FRAD-V**

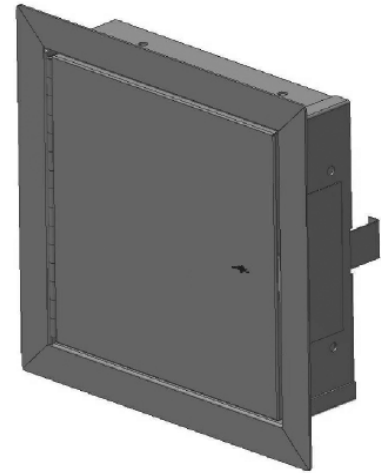
APPLICATION

FRAD-V Access Doors provide an economical way to access components installed behind vertical partitions or walls with fire resistance ratings up to 2 hours.

UL 10B FIRE RESISTANCE RATING:1-1/2 HOUR

Standard Construction

- Frame:** 16 Gauge steel
- Door Panel:** 20 Gauge steel
- Finish:** Power coat
- Insulation:** 2" Ceramic blanket between inner and outer door panels
- Hinge:** Continuous piano type
- Automatic closure:** Coil spring with self latching slam latch

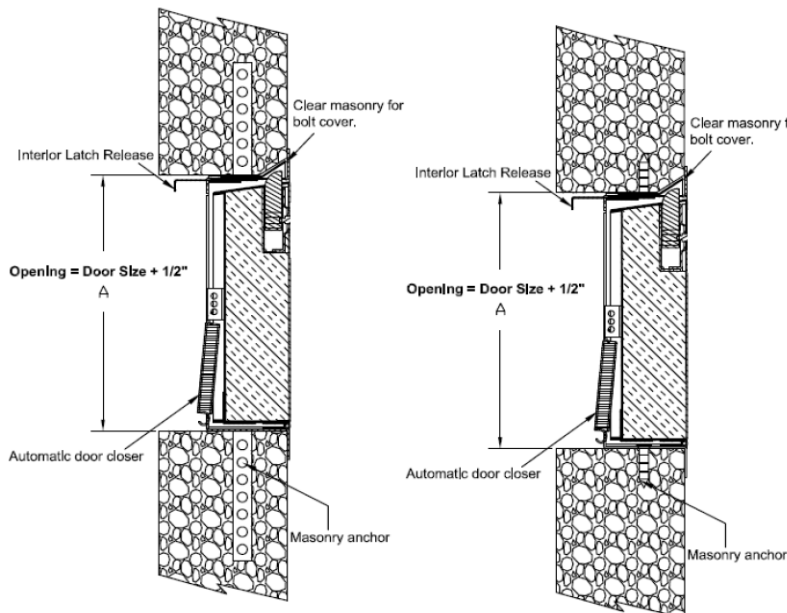


Internal Latch Release	
Minimum Size (WxH)	Maximum Size (WxH)
8"x8"	24"x24"

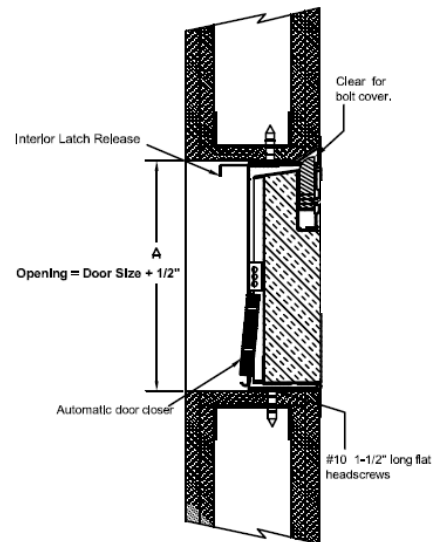


CLASSIFIED
UL
US

ACCESS FRAME AND FIRE DOOR ASSEMBLY
FIRE RESISTANCE CLASSIFICATION
RATING: 1-1/2 HOURS
TEMP RISE: 30 MIN -250°F MAX



TYPICAL STUD WALL INSTALLATION



231 Commerce Dr. Montgomeryville, PA 18936
Tel: 215-412-4445 Fax: 215-412-4409
Email: lloydind@firedamper.com

138 Industrial Loop West, Orange Park, FL 32073
Tel: 904-541-1655 Fax: 904-541-1657
Email: lloydind1@firedamper.com

B1, 4/F., Luen Ming Hing Factory Building
36 Mok Cheong St.,
To Kwa Wan, Kowloon, H. K.
Tel: 852-2760-4188 Fax: 852-2760-4177
Email: tatanlexyim@lloydasia.com

