



EQUIPMENT SUPPORT RAILS

MODELS:
LS-ESC (STEEL)
LA-ESC (ALUMINUM)



APPLICATION

The LS-ESC/LA-ESC are Cant Equipment Support Rails. LA-ESC/LS-ESC both consist of a pedestal with continuous wood nailer for the proper attachment of roof flashings, along with a removable cap flashing which offers maximum assurance of a secure, watertight, installation. They provide standardized supports, fabricated from 0.063 Aluminum alloy 3003-H14(LA-ESC)/16 gauge galvanized steel (LS-ESC) with continuous welded corners, designed with the structural integrity to support the majority of all roof-mounted equipment.

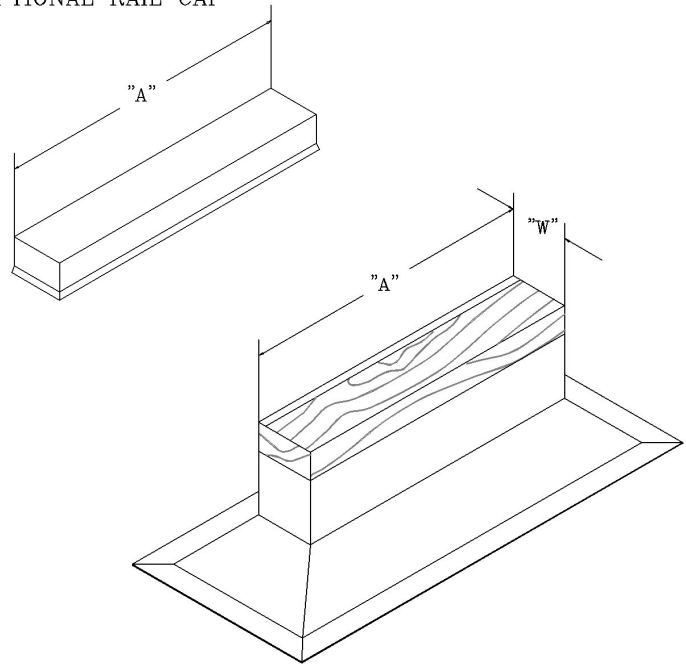
Model: LS-ESC **STANDARD CONSTRUCTION**

Fabricated using 16 gauge galvanized steel
Incorporates straight side walls & 2" flanges
Internal reinforcements at 12" centers
Factory installed wood nailer for equipment
Mounting is mechanically fastened
Mill finish is standard
(optional) Rail cap available

Model: LA-ESC **STANDARD CONSTRUCTION**

Fabricated using 0.063 Aluminum alloy 3003-H14
Incorporates straight side walls & 2" flanges
Internal reinforcements at 12" centers
Factory installed wood nailer for equipment
Mounting is mechanically fastened
Mill finish is standard
(optional) Rail cap available

OPTIONAL RAIL CAP



MODEL SELECTIONS		
Models	Nominal wide	Actual nailer width
LA-ESC-4/LS-ESC-4	4"	3-1/2"
LA-ESC-6/LS-ESC-6	6"	5-1/2"
LA-ESC-8/LS-ESC-8	8"	7-1/2"
LA-ESC-10/LS-ESC-10	10"	9-1/2"
LA-ESC-12/LS-ESC-12	12'	11-1/2"

