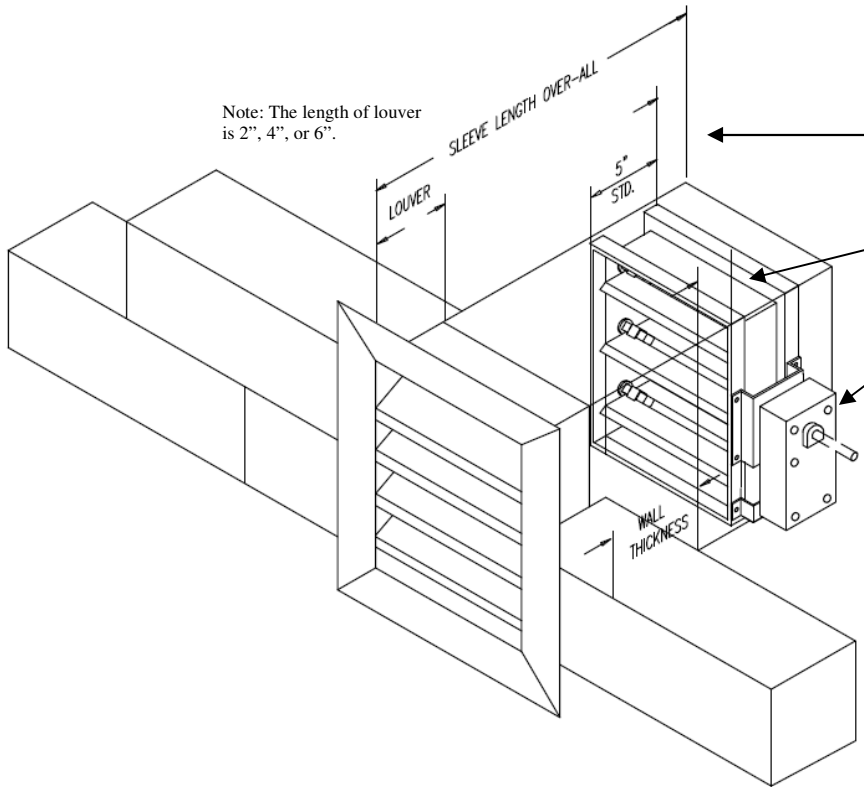




# COMBINATION OF AIR CONTROL DAMPER AND LOUVER

**MODELS:**  
AC10 (PARALLEL BLADE)  
AC20 (OPPOSED BLADE)



Note: The length of louver is 2", 4", or 6".

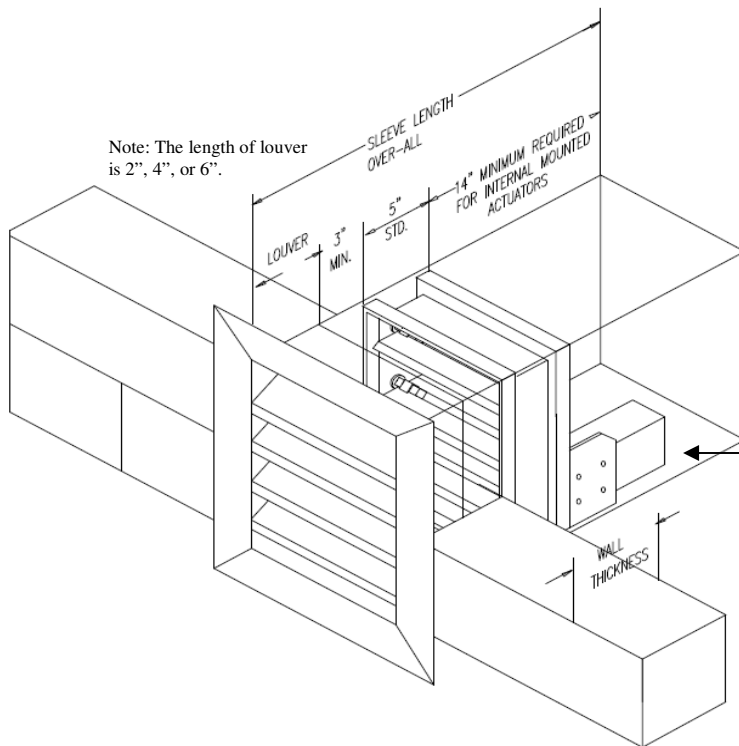
Added sleeve length not required for external direct mounted actuators unless specified

3" partition clearance for direct mounted external actuators

Direct mount external actuator with extended shaft and bearing bracket

### COMBINATION ASSEMBLIES (COMBO-4)

- Air control damper
- Louver ( 4-SRF)
- Actuator (**External** mount)



Note: The length of louver is 2", 4", or 6".

14" MINIMUM REQUIRED FOR INTERNAL MOUNTED ACTUATORS

Internal actuator mount

### COMBINATION ASSEMBLIES (COMBO-2)

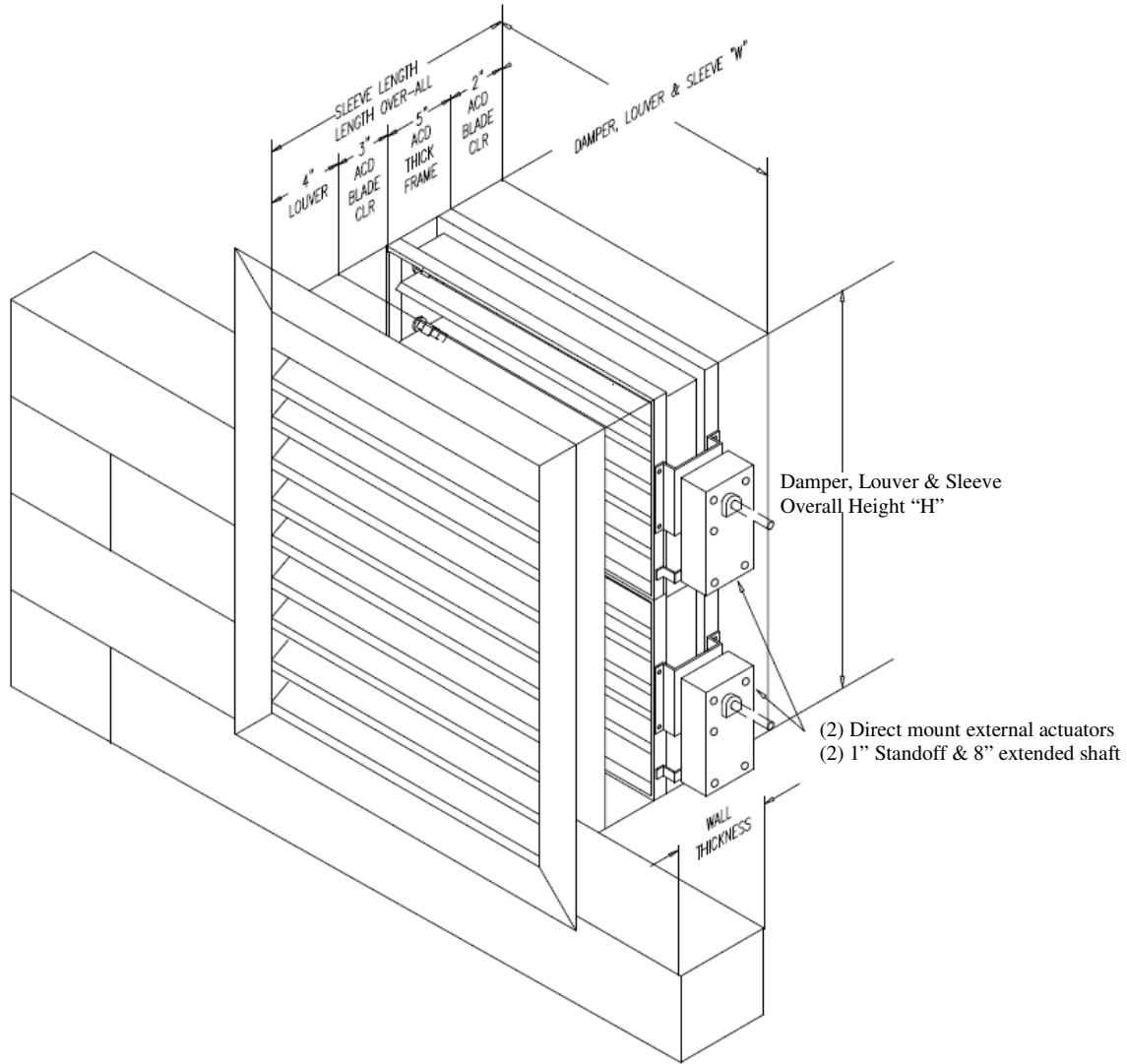
- Air control damper
- Louver ( 4-SRF)
- Actuator (**Internal** mount)
- Sleeve





## COMBINATION OF AIR CONTROL DAMPER AND LOUVER

**MODELS:**  
**AC10 (PARALLEL BLADE)**  
**AC20 (OPPOSED BLADE)**



### INSTALLATION NOTES:

1. Un-clamp the actuators from extended shaft.
2. Remove (12) actuator mounting bracket fasteners.
3. Install the assembly from the exterior wall side.
4. Secure and caulk the sleeve as required to support and seal the unit.
5. Assemble the actuators and actuator support brackets.
6. Connect power as per local code.
7. Cycle test and inspect.

