



SLEEVES AIR CONTROL DAMPERS

SLEEVE TRANSITION DIMENSIONAL INFORMATION

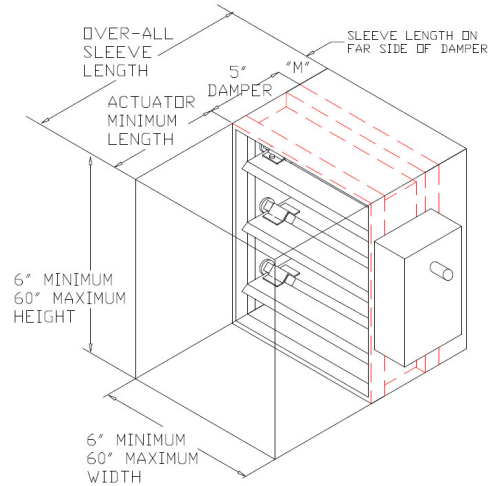
STANDARD SLEEVES

Air Control dampers can be supplied with factory mounted type “A” sleeves for standard system ducting unless otherwise specified.

Standard “A” sleeve ordering information:

To determine the standard sleeve length

1. Establish damper width x height.
2. Determine the actuator type, model, and mounting type.
3. Establish the minimum actuator mounting distance from the mounting diagrams.
4. Determine the sleeve distance “M” opposite to the actuator side of the damper.
5. Add the actuator mounting distance to the “M” distance and the 5.00” damper thickness.
6. Integral flanges 1-1/2” wide can be provided on sleeves when specified.

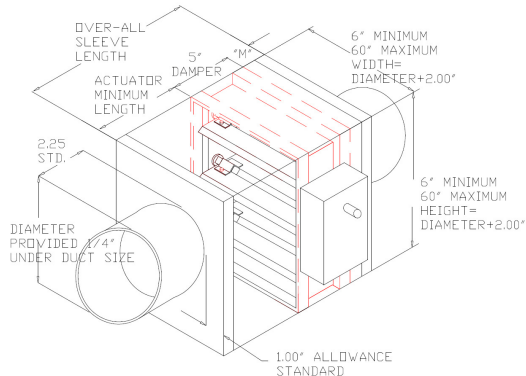


Standard sleeve
Type “A”

SLEEVE TRANSITIONS

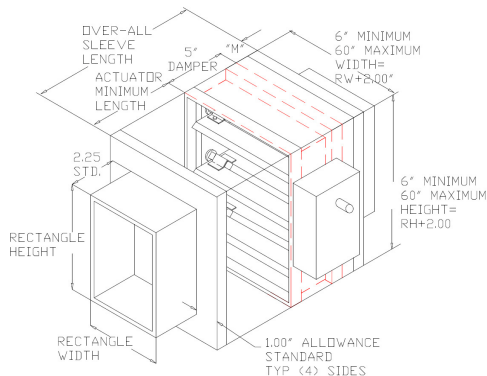
Air control dampers can be supplied with factory mounted sleeves to transition to round, square, rectangular, oval, or special system ducting.

For sleeve length:
Use the standard “A” sleeve length calculation



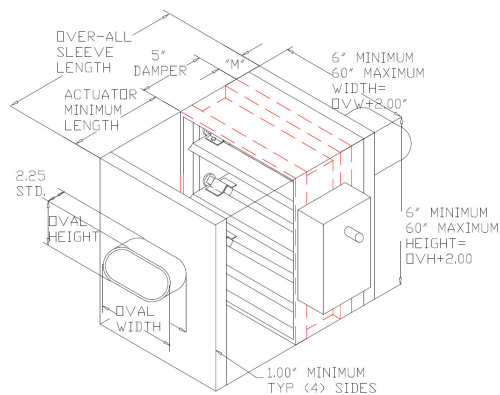
Type “CR”- Round

Specify the round ducting diameter.
(The actual damper frame will be +2.00”W x +2.00H)



Type “C”- Rectangle

Specify the rectangle width x rectangle height
(The actual damper frame will be +2.00”W x +2.00H)



Type “CO”- Oval

Specify the oval width x oval height
(The actual damper frame will be +2.00”W x +2.00H)

When ordering specify:

W x H x L x Gauge.

And distance “M” when “M” is not specified dampers will be centered in sleeve.