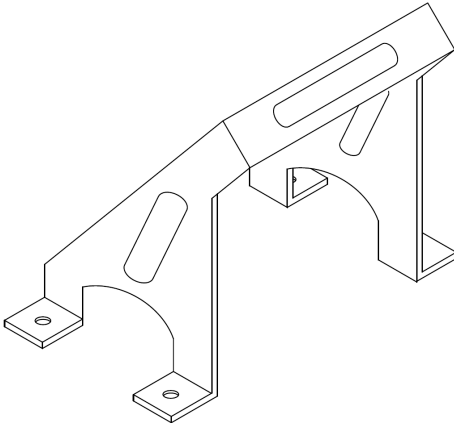




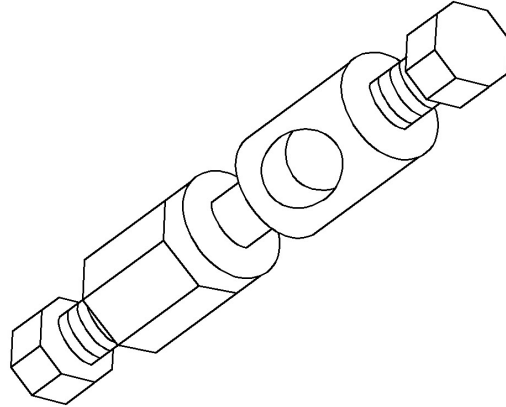
**JUMPER BRACKET HARDWARE
FOR AIR CONTROL DAMPER**

**MODELS:
AC10 (PARALLEL BLADE)
AC20 (OPPOSED BLADE)**

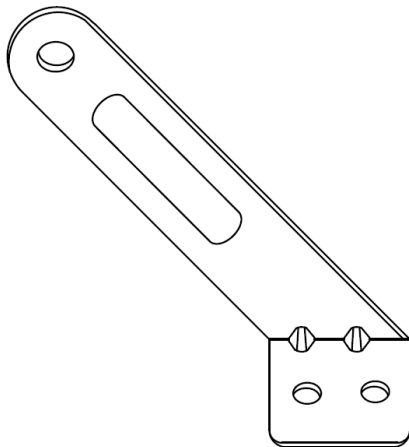
DAMPER MULTIPLE SECTIONS JUMPER BRACKET HARDWARE



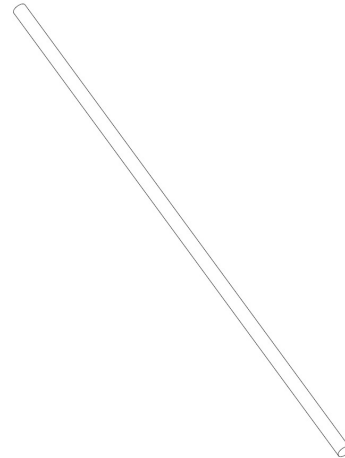
Horizontal multiple sections damper
Blade mounting jumper bracket for side by side dampers
Use 1/unit for dampers up to 32" W
Use 2/unit for dampers above 32" W



Vertical multiple sections damper
Jumper 5/16" Connecting rod swivels
Use 2/unit for dampers up to 32" W
Use 4/unit for dampers above 32" W



Vertical multiple sections damper
Blade mounting jumper bracket for over/under damper assemblies
Use 2/unit for dampers up to 32" W
Use 4/unit for dampers above 32" W



Vertical multiple sections damper
Jumper 5/16" dia. Connecting rod
Use 1/unit for dampers up to 32" W
Use 2/unit for dampers above 32" W

Model	Single Section		Multiple Sections
	Minimum Size (WxH)	Maximum Size (WxH)	Maximum Size (WxH)
AC10	6"X6"	60"x60"	UNLIMITED
AC20	6"x10-1/4"	60"x60"	

SOLD INDIVIDUALLY OR AS JUMPER SET.

