

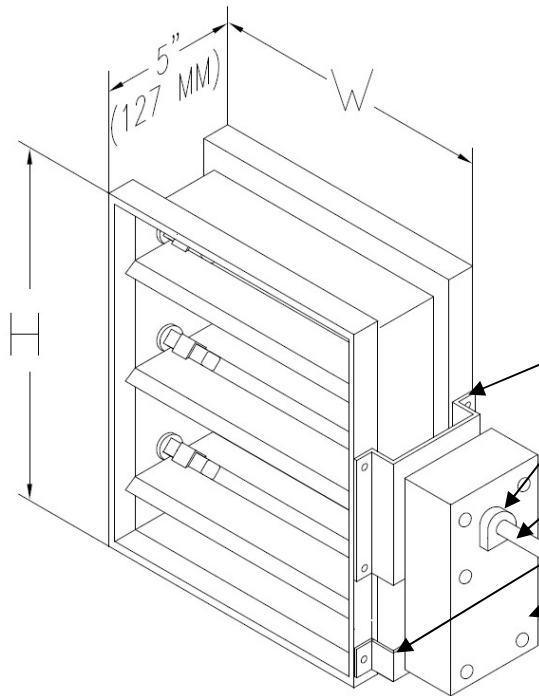


**ACTUATOR FOR AIR CONTROL DAMPER**

**MODELS:**

**AC-10 (PARALLEL BLADE)**

**AC-20 (OPPOSED BLADE)**



**COMPONENTS FOR DAMPER WITH EXTERNAL MOTOR:**

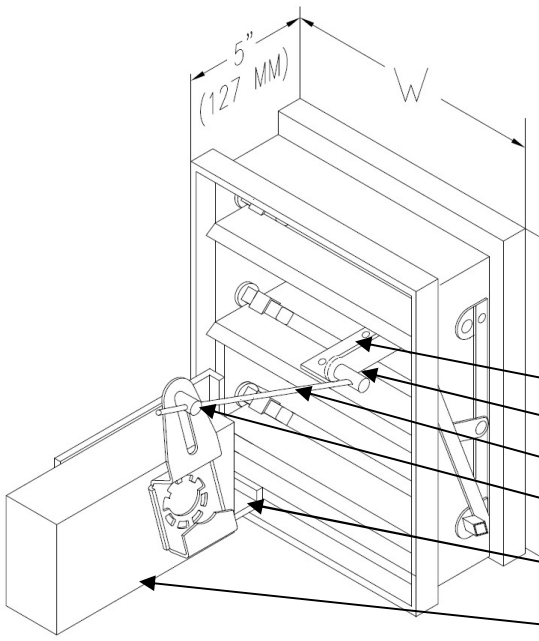
- (1) 8" EXTENDED SHAFT
- (1) BEARING BRACKET
- (1) ACTUATOR ASSEMBLY PACKAGE
  - (1) ACTUATOR WITH SHAFT CLAMP
  - (1) ACTUATOR HANGER BRACKET
- (1) DAMPER SLEEVE

(STANDARD SHEET METAL SCREWS ARE NOT PROVIDED)

BEARING BRACKET  
 ACTUATOR WITH SHAFT CLAMP  
 EXTENDED SHAFT  
 ACTUATOR HANGER BRACKET  
 ACTUATOR MAY BE MOUNTED IN ALL 360° RADIAL POSITIONS ABOUT THE SHAFT IN 90° INCREMENTS

**ACTUATORS:**

Manual, Electric, Pneumatic. Belimo or Siemens.



**COMPONENTS FOR DAMPER WITH ELECTRIC INTERNAL MOTOR:**

- (1) ACTUATOR ASSEMBLY PACKAGE
  - (1) ACTUATOR
  - (1) ACTUATOR LINKING SHAFT
  - (1) CRANK ARM
  - (2) BALL JOINT ASSEMBLY
  - (1) ACTUATOR MOUNTING BRACKET
- (1) (BLADE MOUNTING BRACKET
- (1) DAMPER SLEEVE (16") MINIMUM

(STANDARD SHEET METAL SCREWS ARE NOT PROVIDED)

BLADE MOUNTING BRACKET  
 BALL JOINT ASSEMBLY  
 ACTUATING LINKAGE SHAFT  
 CRANK ARM  
 ACTUATOR MOUNTING BRACKET  
 DAMPER SLEEVE  
 BELIMO ACTUATOR

**ACTUATORS:**

Manual, Electric, Pneumatic. Belimo or Siemens.

**NOTE:**

Dampers supplied 1/4" less than order width and height unless specified "ACTUAL SIZE"



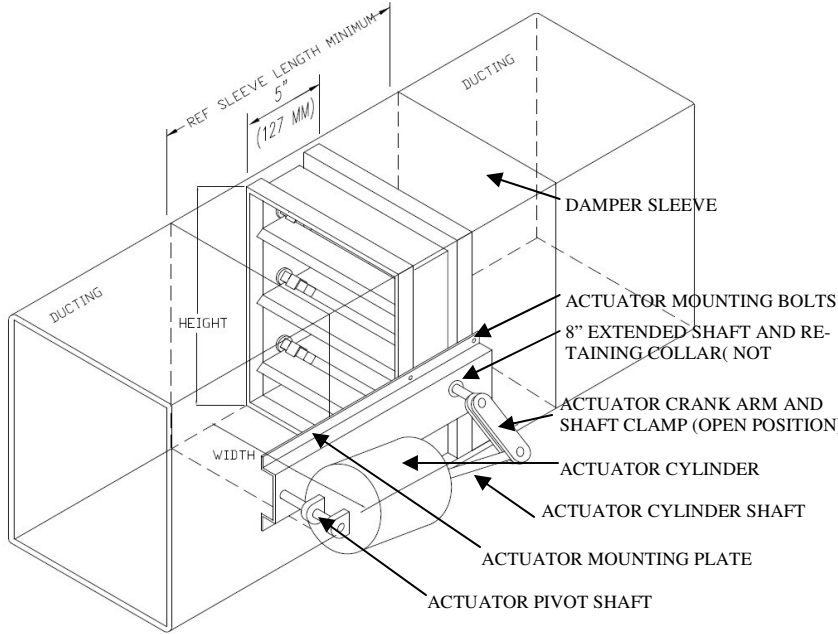


# ACTUATOR FOR AIR CONTROL DAMPER

**MODELS:**

**AC-10 (PARALLEL BLADE)**

**AC-20 (OPPOSED BLADE)**



**COMPONENTS FOR DAMPER WITH PNEUMATIC EXTERNAL MOUNT MOTOR:**

- (1) 8" EXTENDED SHAFT
- (1) SHAFT RETAINING COLLAR
- (1) ACTUATOR ASSEMBLY PACKAGE
  - (1) CYLINDER
  - (1) CRANK ARM WITH SHAFT CLAMP
  - (1) ACTUATOR MOUNTING PLATE
  - (1) PIVOT SHAFT ON MOUNTING PLATE
  - (4) ACTUATOR PLATE MOUNTING

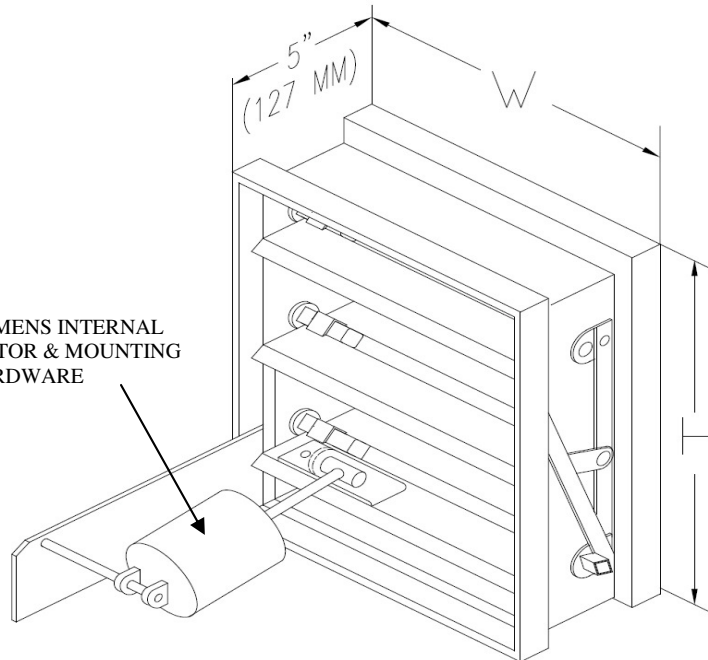
**SCREWS**

- (1) DAMPER SLEEVE (REF")

(STANDARD SHEET METAL SCREWS ARE NOT PROVIDED)

**ACTUATORS:**

Select motors from the SIMENS PNEUMATIC actuator list.



**COMPONENTS FOR DAMPER WITH PNEUMATIC INTERNAL MOUNT MOTOR:**

- (1) ACTUATOR ASSEMBLY PACKAGE
  - (1) CYLINDER
  - (1) CRANK ARM WITH SHAFT CLAMP
  - (1) ACTUATOR MOUNTING PLATE
  - (1) PIVOT SHAFT ON MOUNTING PLATE
  - (4) ACTUATOR PLATE MOUNTING SCREWS
- (1) DAMPER SLEEVE (REF")

(STANDARD SHEET METAL SCREWS ARE NOT PROVIDED)

**ACTUATORS:**

Select motors from the SIMENS PNEUMATIC actuator list.

