



AIR CONTROL DAMPER (AIR FOIL)

MODELS:
AC10-AF (PARALLEL BLADE)
AC20-AF (OPPOSED BLADE)



APPLICATION

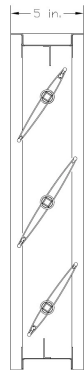
The AC10-AF & AC20-AF are an ultra low leakage, galvanized steel damper with aluminum airfoil blades for high velocity and medium to high pressure HVAC systems. They provide ultra-low leakage and unsurpassed pressure drop performance. The AC10-AF & AC20-AF are designed for reducing pressure drop and less noise generation.

STANDARD CONSTRUCTION

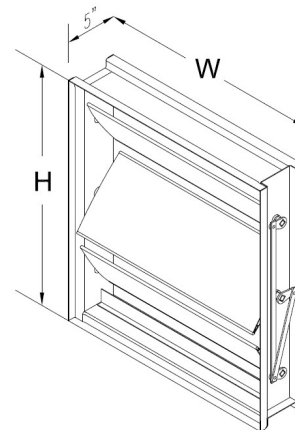
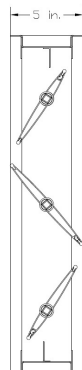
- FRAME:** 5in. X 1in. Channel
16 Ga. (1.5mm) galvanized steel
(Optional: 16 Ga. Aluminum)
- BLADES:** Aluminum air foil
(Opposed or Parallel)
TPV blade seals
Stainless steel jamb seals
(Opposed or Parallel)
- BEARINGS:** Non-metallic celcon
- AXLES:** 1/2 Sq zinc plated steel stud
- LINKAGE:** Concealed in frame
10 Ga. zinc plated steel
- SHAFT:** 2-1/2" Extended shaft
Fixed 1/2 inch diameter
zinc plated steel

BLADE OPERATION:

PARALLEL BLADE

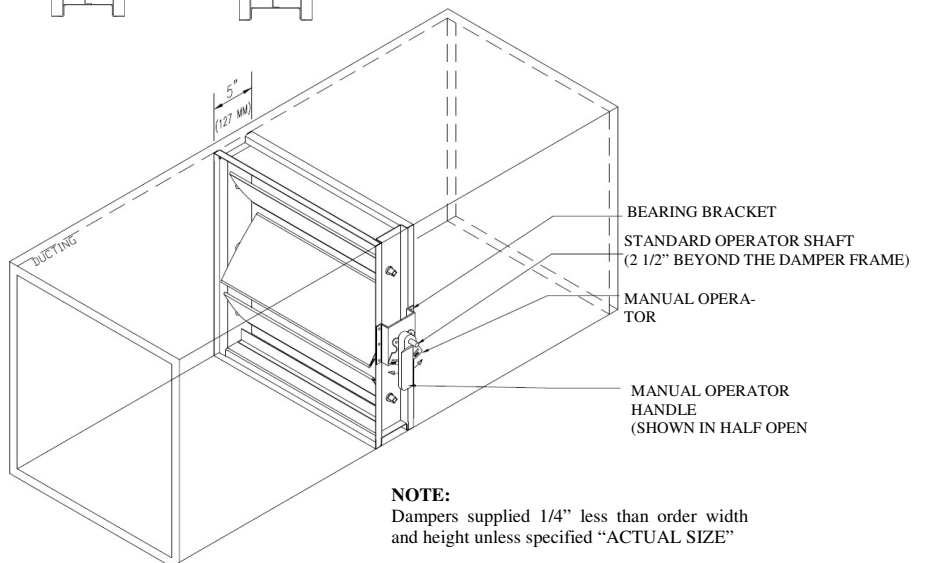


OPPOSED BLADE



OPTIONAL COMPONENTS

- Stainless steel jamb seals
- Bronze bearings
- Sleeves-manual, electric, pneumatic
- Actuators-manual, electric, pneumatic
- Removable 8" extended shaft
- 1/2" Dia. shaft extending 7-1/2 beyond the air control frame requires 1" or 2" bearing



Model	Single Section		Multiple Sections
	Minimum Size (WxH)	Maximum Size (WxH)	Maximum Size (WxH)
AC10-AF	6X6	72x72	UNLIMITED
AC20-AF	6x11	72x72	

NOTE:
Dampers supplied 1/4" less than order width and height unless specified "ACTUAL SIZE"

