



ACCESS DOORS



80-HAD



85-CAD

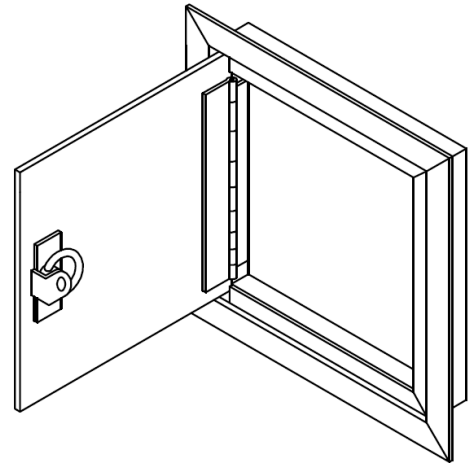
**MODEL:
80-HAD
85-CAD**

Flush mount, corrosion resistant extruded aluminum construction .
Hinged and no-hinged locking access doors.

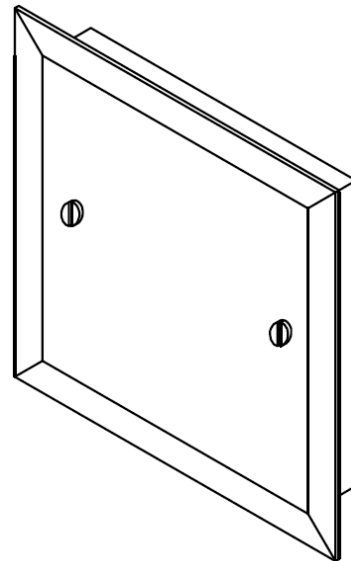
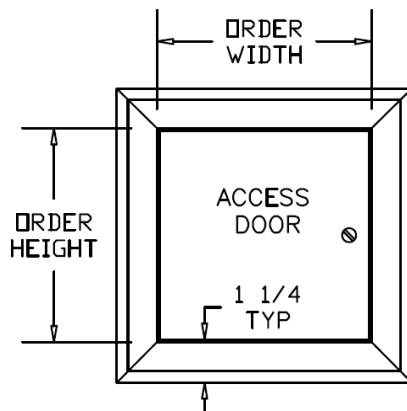
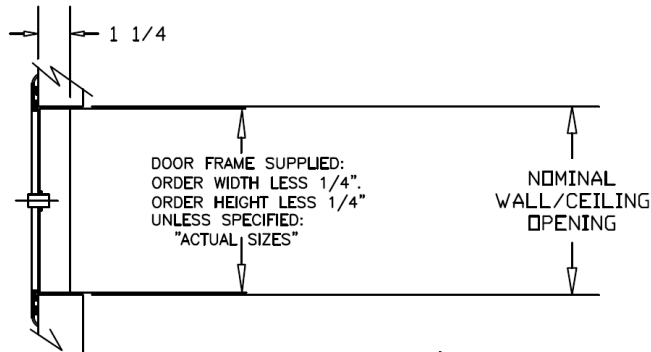
Standard construction

- Frame:** Extruded aluminum
- Door Panel:** Extruded aluminum 0.80 (14Ga.)
- Finish:** Mill finished aluminum (Standard)
Anodized finish (Request only)
Paint

1" Thick hinged access door with flange
Double panel door
Aluminum
1-1/4" Flange 4 sides



MODEL 80 (HAD)
Hinged, flush door and flush mount access door with slotted or keyed locks



MODEL 85 (CAD)
Hinge-less, flush door and flush mount access door with multiple slotted or keyed locks for door closure.
Used where obstruction prevent opening hinged door.

