



FIRE DAMPER

MODEL: 75DV/DH (1-1/2 HR rating)



APPLICATION

The model 75D is Lloyd Industries' thin line fire damper with blades in the airstream. It is approved for use in walls, floors, and partitions with fire resistance ratings less than 1-1/2 hours. This model carries a 1-1/2 hour UL fire damper label.

RATING:

UL CLASSIFIED: UL 555 Fire Resistance Rating
Fire resistance rated 1-1/2 Hours
Partitions materials rated 2 Hours or less

Standard Construction

- Frame: 22 Ga. galvanized steel
Blade: 22 Ga. galvanized steel
Closure Spring: Stainless steel
Fusible Link: 165°F
Mounting: Horizontal or vertical

Optional Material: Type 316 stainless steel

Model 75D meets the requirements for fire dampers established by: CSFM California State Fire Marshal Fire Damper Listing (#3225-1417:102)

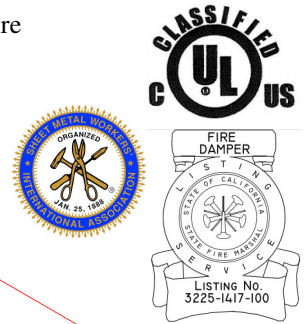
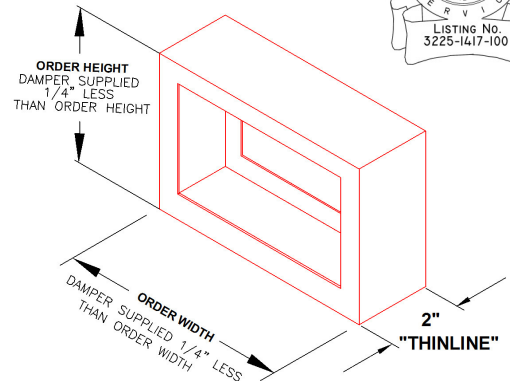
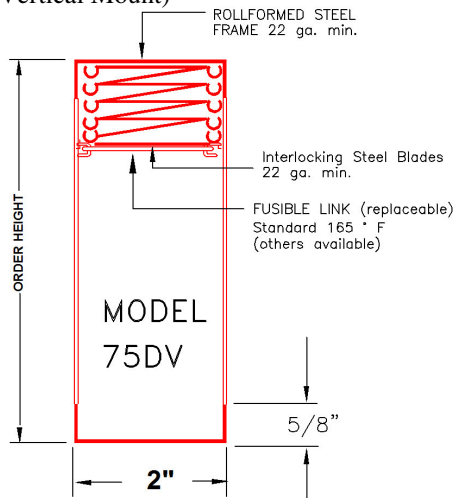


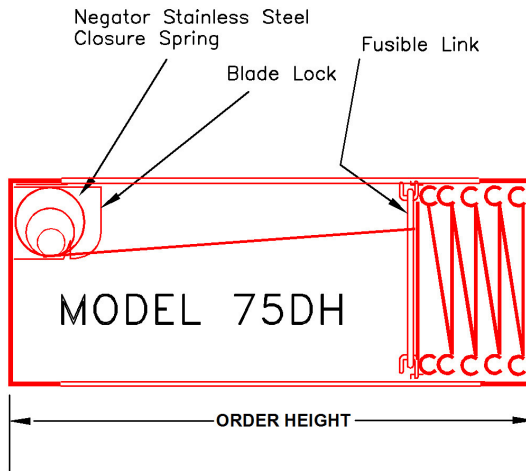
Table with 3 columns: Mounting, Minimum Size (WxH), Maximum Size (WxH). Rows for Vertical and Horizontal.



Model: 75DV (Vertical Mount)



Model: 75DH (Horizontal Mount)



Note: *Please see "B" PAN Sizing Chart for the "B" PAN Height. Damper supplied 1/4" less than order Width and Height.

