



DYNAMIC FIRE DAMPER



MODEL:
75N-DY (3 HR rating)

APPLICATION

The model 75N-DY is constructed with galvanized steel. 75N-DY has 3-hour rating so it can be used in fire partition rated at four hours or less. This damper is for vertical application only.

RATING:

UL CLASSIFIED: UL 555 Fire Resistance Rating
Fire resistance rated 3 Hours
Building materials rated in 4 hour fire partition

Standard Construction

Frame: 22 Ga. galvanized steel
Blade: 22 Ga. galvanized steel
Closure Spring: Stainless steel
Fusible Link: 165°F
Mounting: Vertical

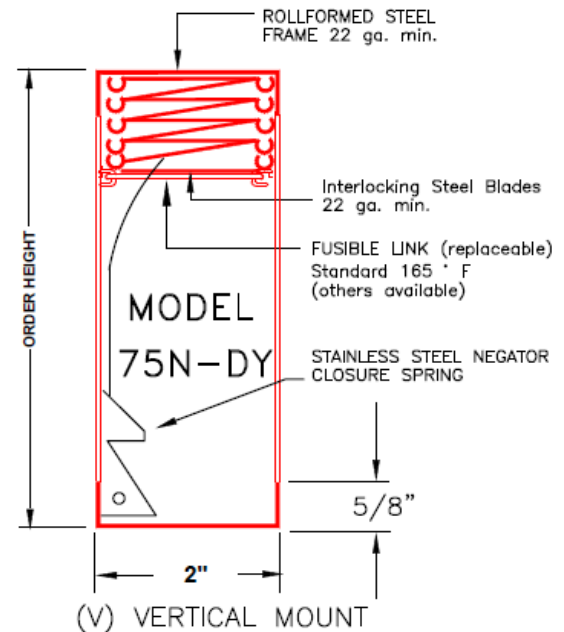
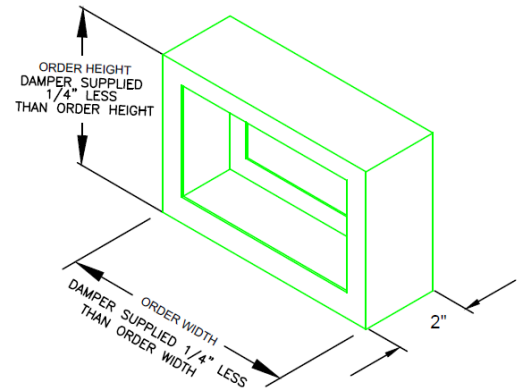
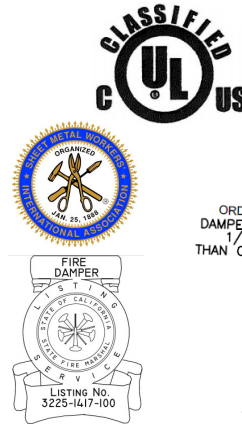
Optional Material:

Type 316 stainless steel

Dynamic Fire Dampers:

Bi-directional
2400 FPM maximum velocity
4.0 WG maximum static pressure

Features horizontal closure spring operation under airflow in HVAC systems where fans remain running in Fire and smoke control. Dynamic fire dampers bear a label attesting to airflow and maximum static pressure limits.



	Single Section		Multiple Section
	Minimum Size (WxH)	Maximum Size (WxH)	Maximum Size (WxH)
Vertical	4"x4"	24"x24"	N/A
Horizontal	N/A	N/A	N/A

*Damper supplied 1/4" less than order width and height
"Thinline" damper model with blades "in air stream".

