



DYNAMIC FIRE DAMPER



MODEL:
75LC-DY (3 HR rating)

APPLICATION

The model 75LC-DY is constructed with standard construction galvanized steel. 75LC-DY has 3-hour rating so it can be used in fire partition rated at four hours or less. This damper is for vertical application only.

RATING:

UL CLASSIFIED: UL 555 Fire Resistance Rating
Fire resistance rated 3 Hours
Building materials rated in 4 hour fire partition

Standard Construction

Frame: 22 Ga. galvanized steel
Blade: 22 Ga. galvanized steel
Closure Spring: Stainless steel
Fusible Link: 165°F
Mounting: Vertical

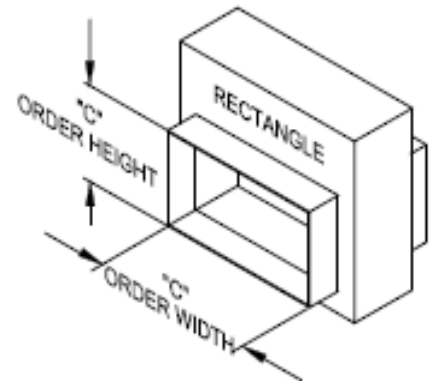
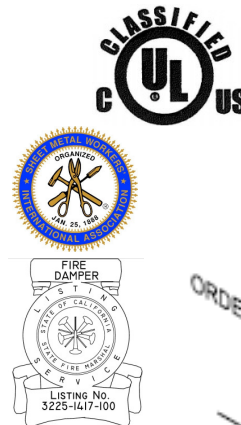
Optional Material:

Type 316 stainless steel

Dynamic Fire Dampers:

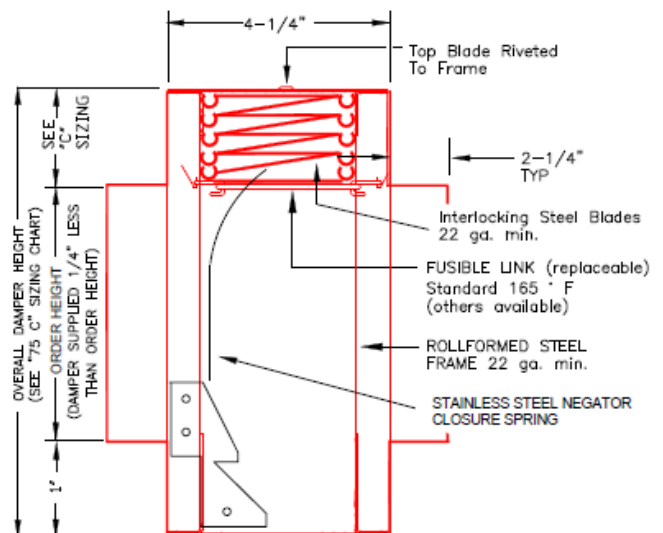
Bi-directional
2400 FPM maximum velocity
4.0 WG maximum static pressure

Features horizontal closure spring operation under airflow in HVAC systems where fans remain running in Fire and smoke control. Dynamic fire dampers bear a label attesting to airflow and maximum static pressure limits.



	Single Section		
	Maximum Section	Minimum Ø	Maximum Ø
Vertical	24"x24"	3Ø	20Ø
Horizontal	24"x24"	3Ø	20Ø

*Damper supplied 1/4" less than order width and height
Highest air flow efficiency for curtain damper.
Damper models with blades and frames "out of air stream".



(V) VERTICAL MOUNT

