



## DYNAMIC FIRE DAMPER

**MODEL:**  
**75LB-DY (3 HR rating)**



### APPLICATION

The model 75LB-DY is a fire damper constructed with galvanized steel, with blades out of the airstream. 75LB-DY has 3-hour rating so it can be used in fire partition rated at four hours or less. This damper is for vertical application only.

### RATING:

**UL CLASSIFIED:** UL 555 Fire Resistance Rating  
Fire resistance rated 3 Hours  
Building materials rated in 4 hour fire partition

### Standard Construction

Frame: 22 Ga. galvanized steel  
Blade: 22 Ga. galvanized steel  
Closure Spring: Stainless steel  
Fusible Link: 165°F  
Mounting: Vertical

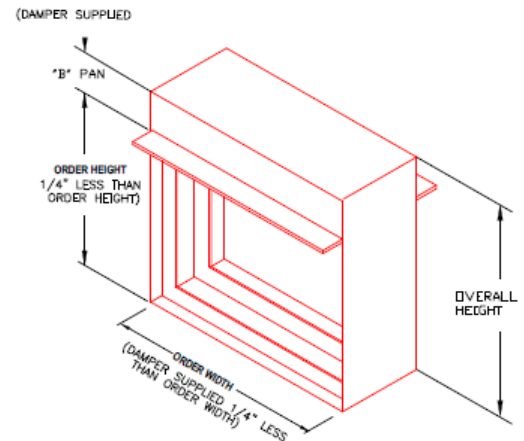
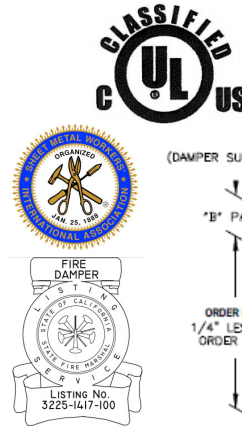
### Optional Material:

Type 316 stainless steel

### Dynamic Fire Dampers:

Bi-directional  
2400 FPM maximum velocity  
4.0 WG maximum static pressure

Features horizontal closure spring operation under airflow in HVAC systems where fans remain running in Fire and smoke control. Dynamic fire dampers bear a label attesting to airflow and maximum static pressure limits.



	Single Section		Multiple Section
	Minimum Size (WxH)	Maximum Size (WxH)	Maximum Size (WxH)
Vertical	4"x4"	24"x24"	N/A
Horizontal	N/A	N/A	N/A

\*Damper supplied 1/4" less than order width and height

