



DYNAMIC FIRE DAMPER



MODEL:
75C-DY (1-1/2 HR rating)

APPLICATION

The model 75C-DY is constructed with galvanized steel and blades out of the airstream. 75C-DY is 1-1/2 hour UL rated dynamic damper for use in HVAC systems that remain in operation during a fire. The unit can be installed vertically in walls or horizontally in floors.

RATING:

UL CLASSIFIED: UL 555 Fire Resistance Rating
Fire resistance rated 1-1/2 Hours
Building materials rated in 2 hours fire partition

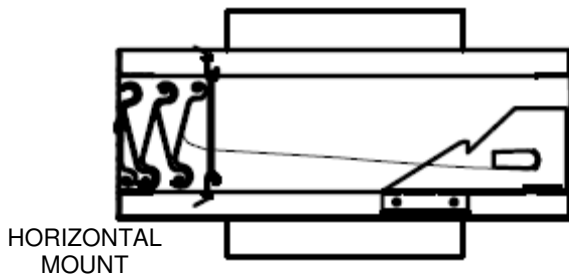
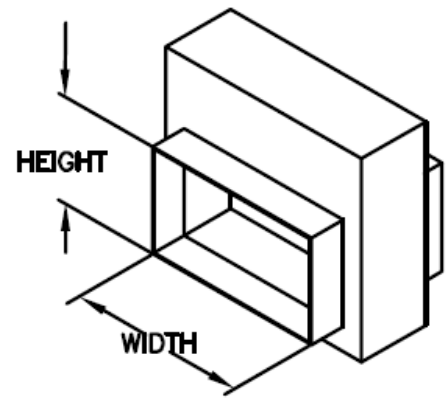
Standard Construction

- Frame: 22 Ga. galvanized steel
- Blade: 22 Ga. galvanized steel
- Closure Spring: Stainless steel
- Fusible Link: 165°F
- Mounting: Horizontal or vertical

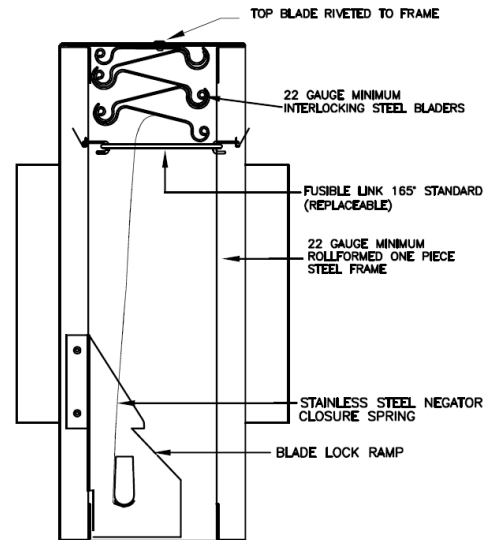
Optional Material:

- Type 316 stainless steel
- Dynamic Fire Dampers:
- Bi-directional
- 2000 FPM maximum velocity
- 4.0 WG maximum static pressure

Features horizontal closure spring operation under airflow in HVAC systems where fans remain running in Fire and smoke control. Dynamic fire dampers bear a label attesting to airflow and maximum static pressure limits.



HORIZONTAL MOUNT



VERTICAL MOUNT

	Single Section		Multiple Section
	Minimum Size (WxH)	Maximum Size (WxH)	Maximum Size (WxH)
Vertical	4"x4"	24"x24"	Consult factory for availability
Horizontal	4"x4"	24"x24"	Consult factory for

231 Commerce Dr. Montgomeryville, PA 18936
Tel: 215-412-4445 Fax: 215-412-4409
Email: lloydind@firedamper.com

138 Industrial Loop West, Orange Park, FL 32073
Tel: 904-541-1655 Fax: 904-541-1657
Email: lloydind1@firedamper.com

B1, 4/F., Luen Ming Hing Factory Building
36 Mok Cheong St.,
To Kwa Wan, Kowloon, H. K.
Tel: 852-2760-4188 Fax: 852-2760-4177
Email: tatanlexyim@lloydasia.com

